

# aiwa

**COMPACT DISC STEREO SYSTEM  
SISTEMA ESTEREO CON REPRODUCTOR DE DISCOS COMPACTOS  
CHAINE STEREO AVEC LECTEUR DE DISQUES COMPACTS**

# Z-L30

**OPERATING INSTRUCTIONS  
MANUAL DE INSTRUCCIONES  
MODE D'EMPLOI**

**En** (English)

**E** (Español)

**F** (Français)

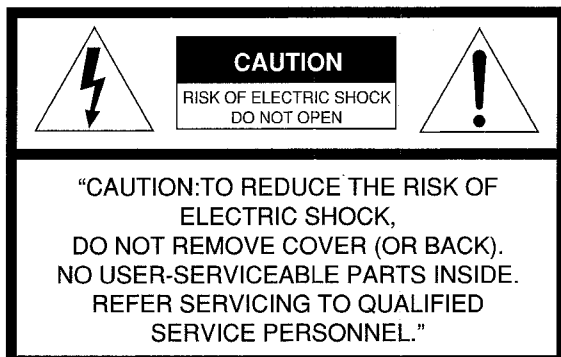
For assistance and information

***call toll free 1-800-BUY-AIWA***

(United States and Puerto Rico)

## WARNING

TO REDUCE THE RISK OF FIRE OR ELECTRIC SHOCK, DO NOT EXPOSE THIS APPLIANCE TO RAIN OR MOISTURE.



### Explanation of Graphical Symbols:



The lightning flash with arrowhead symbol, within an equilateral triangle, is intended to alert the user to the presence of uninsulated "dangerous voltage" within the product's enclosure that may be of sufficient magnitude to constitute a risk of electric shock to persons.



The exclamation point within an equilateral triangle is intended to alert the user to the presence of important operating and maintenance (servicing) instructions in the literature accompanying the appliance.

### Owner's record

For your convenience, record the model number and serial number (you will find them on the rear of your unit) in the space provided below. Please refer to them when you contact your Aiwa dealer in case of difficulty.


Model No.	Serial No. (Lot No.)
CX-ZL30	
SX-WZL60	
SX-R276	

## PRECAUTIONS

Read the Operating Instructions carefully and completely before operating the unit. Be sure to keep the Operating Instructions for future reference. All warnings and cautions in the Operating Instructions and on the unit should be strictly followed, as well as the safety suggestions below.

### Installation

- 1 Water and moisture** — Do not use this unit near water, such as near a bathtub, washbowl, swimming pool, or the like.
- 2 Heat** — Do not use this unit near sources of heat, including heating vents, stoves, or other appliances that generate heat. It also should not be placed in temperatures less than 5°C (41°F) or greater than 35°C (95°F).
- 3 Mounting surface** — Place the unit on a flat, even surface.

- 4 Ventilation** — The unit should be situated with adequate space around it so that proper heat ventilation is assured. Allow 10 cm (4 in.) clearance from the rear and the top of the unit, and 5 cm (2 in.) from each side.
  - Do not place the unit on a bed, rug, or similar surface that may block the ventilation openings.
  - Do not install the unit in a bookcase, cabinet, or airtight rack where ventilation may be impeded.
- 5 Objects and liquid entry** — Take care that objects or liquid do not get inside the unit through the ventilation openings.
- 6 Carts and stands** — When placed or mounted on a stand or cart, the unit should be moved with care. Quick stops, excessive force, and uneven surfaces may cause the unit or cart to overturn or fall. 
- 7 Condensation** — Moisture may form on the CD pickup lens when:
  - The unit is moved from a cold spot to a warm spot
  - The heating system has just been turned on
  - The unit is used in a very humid room
  - The unit is cooled by an air conditioner
 When this unit has condensation inside, it may not function normally. Should this occur, leave the unit for a few hours, then try to operate again.
- 8 Wall or ceiling mounting** — The unit should not be mounted on a wall or ceiling, unless specified in the Operating Instructions.

### Electric Power

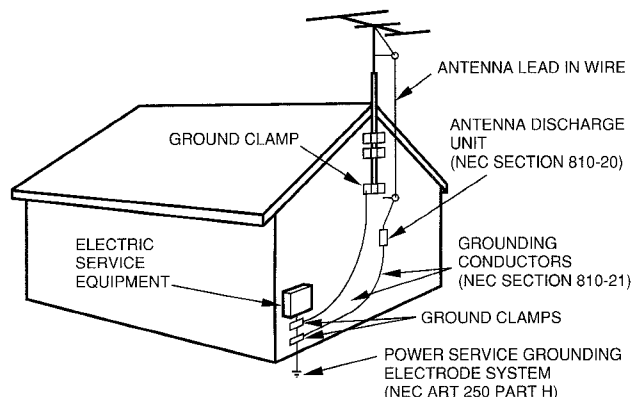
- 1 Power sources** — Connect this unit only to power sources specified in the Operating Instructions, and as marked on the unit.
- 2 Polarization** — As a safety feature, some units are equipped with polarized AC power plugs which can only be inserted one way into a power outlet. If it is difficult or impossible to insert the AC power plug into an outlet, turn the plug over and try again. If it is not still inserted easily into the outlet, please call a qualified service technician to service or replace the outlet. To avoid defeating the safety feature of the polarized plug, do not force it into a power outlet.
- 3 AC power cord**
  - When disconnecting the AC power cord, pull it out by the AC power plug. Do not pull the cord itself.
  - Never handle the AC power plug with wet hands, as this could result in fire or shock.
  - Power cords should be firmly secured to avoid being severely bent, pinched, or walked upon. Pay particular attention to the cord from the unit to the power socket.
  - Avoid overloading AC power plugs and extension cords beyond their capacity, as this could result in fire or shock.
- 4 Extension cord** — To help prevent electric shock, do not use a polarized AC power plug with an extension cord, receptacle, or other outlet unless the polarized plug can be completely inserted to prevent exposure of the blades of the plug.
- 5 When not in use** — Unplug the AC power cord from the power outlet if the unit will not be used for several months or more. When the cord is plugged in, a small amount of current continues to flow to the unit, even when the power is turned off.

# TABLE OF CONTENTS

## Outdoor Antenna

- 1 **Power lines** — When connecting an outdoor antenna, make sure it is located away from power lines.
- 2 **Outdoor antenna grounding** — Be sure the antenna system is properly grounded to provide protection against unexpected voltage surges or static electricity build-up. Article 810 of the National Electrical Code, ANSI/NFPA 70, provides information on proper grounding of the mast, supporting structure, and the lead-in wire to the antenna discharge unit, as well as the size of the grounding unit, connection to grounding terminals, and requirements for grounding terminals themselves.

Antenna Grounding According to the National Electrical Code



NEC-NATIONAL ELECTRICAL CODE

## Maintenance

Clean the unit only as recommended in the Operating Instructions.

## Damage Requiring Service

Have the units serviced by a qualified service technician if:

- The AC power cord or plug has been damaged
- Foreign objects or liquid have got inside the unit
- The unit has been exposed to rain or water
- The unit does not seem to operate normally
- The unit exhibits a marked change in performance
- The unit has been dropped, or the cabinet has been damaged

**DO NOT ATTEMPT TO SERVICE THE UNIT YOURSELF**

## PREPARATIONS

CONNECTIONS .....	4
REMOTE CONTROL .....	6
BEFORE OPERATION .....	6

## SOUND

AUDIO ADJUSTMENTS .....	9
GRAPHIC EQUALIZER .....	9

## RADIO RECEPTION

MANUAL TUNING .....	10
PRESETTING STATIONS .....	11

## TAPE PLAYBACK

BASIC OPERATIONS .....	11
------------------------	----

## CD PLAYING

BASIC OPERATIONS .....	12
PROGRAMMED PLAY .....	14

## RECORDING

BASIC RECORDING .....	15
AI EDIT RECORDING .....	16
PROGRAMMED EDIT RECORDING .....	17

## CLOCK AND TIMER

SETTING THE CLOCK .....	18
SETTING THE SLEEP TIMER .....	18
SETTING THE TIMER .....	19

## OTHER CONNECTIONS

CONNECTING OPTIONAL EQUIPMENT .....	20
LISTENING TO EXTERNAL SOURCES .....	21

## GENERAL

CARE AND MAINTENANCE .....	21
TROUBLESHOOTING GUIDE .....	22
SPECIFICATIONS .....	22

PARTS INDEX .....	Back cover
-------------------	------------

En

# PREPARATIONS

## CONNECTIONS

### Check your system and accessories

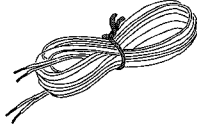
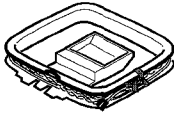
#### Z-L30

- CX-ZL30 Compact disc stereo cassette receiver
- SX-WZL60 Front speakers
- SX-R276 Surround speakers

Remote control

AM antenna

FM antenna



Operating Instructions, etc.

### Before connecting the AC cord

The rated voltage of your unit shown on the rear panel is 120 V AC. Check that the rated voltage matches your local voltage.

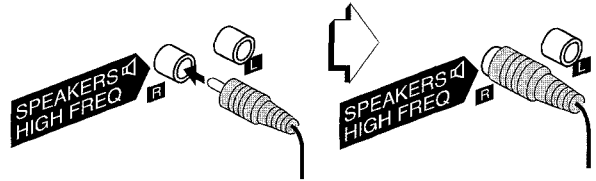
### IMPORTANT

Connect the speakers, antennas, and all optional equipment first. Then connect the AC cord.

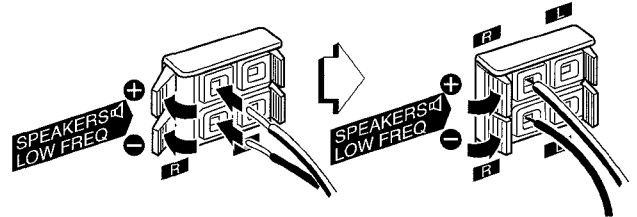
There are no difference between the front speakers as well as the surround speakers. Both speakers can be connected as L (left) or R (right).

### 1 Connect the right speaker to the main unit.

- Connect the speaker cord with the plug to the **SPEAKERS HIGH FREQ R** terminal.

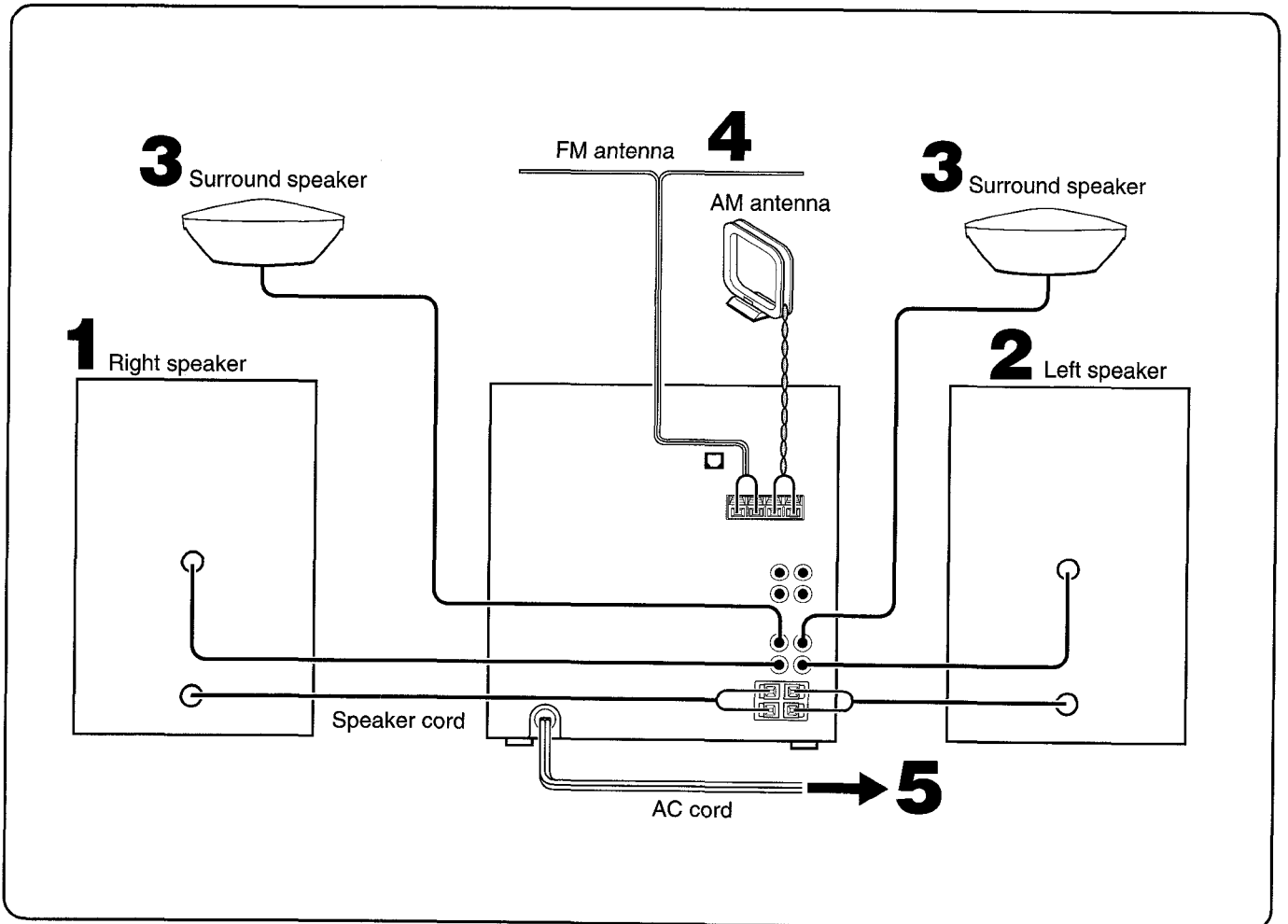


- Connect the speaker cord with the white stripe to the **SPEAKERS LOW FREQ R +** terminal and the black cord to the **-** terminal.



### 2 Connect the left speaker to the main unit.

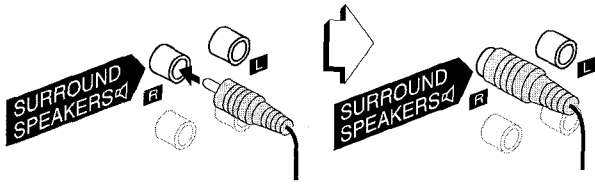
Connect the speaker cord with the plug to the **SPEAKERS HIGH FREQ L** terminal, and another speaker cord to the **SPEAKERS LOW FREQ L** terminals in the same manner as step 1.





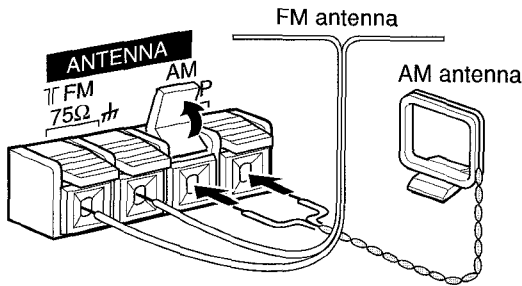
**3 Connect the Surround speakers to the main unit.**

Connect the right Surround speaker cord to **SURROUND SPEAKERS R** terminal, and the left to **SURROUND SPEAKERS L** terminal.



**4 Connect the supplied antennas.**

Connect the FM antenna to **FM 75 Ω** terminals and the AM antenna to **AM LOOP** terminals.



**5 Connect the AC cord to an AC outlet.**

- The game Demo will begin when the AC cord is plugged into an AC outlet. See page 8 "GAME DEMO" for details.

**To position the antennas**

**FM antenna:**

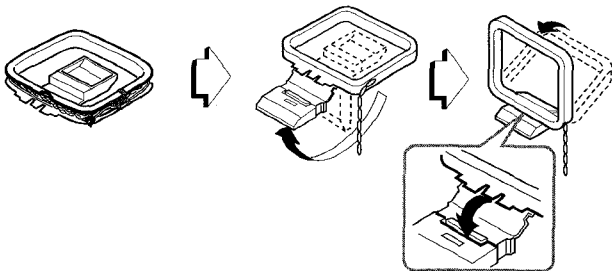
Extend the antenna horizontally in a T-shape and fix its ends to the wall.

**AM antenna:**

Position to find the best reception.

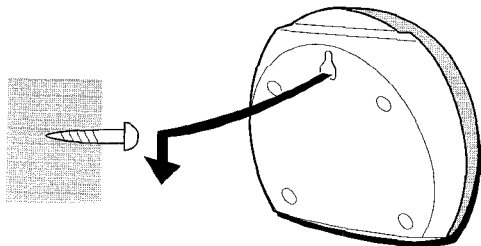
**To stand the AM antenna on a surface**

Fix the claw to the slot.



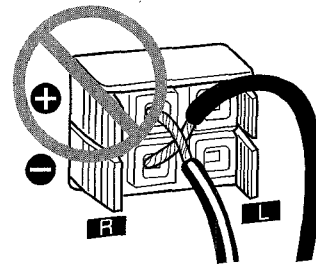
**To mount the surround speakers on the wall**

Mount each speaker on a spot that can hold its weight.



**NOTE**

- Be sure to connect the speaker cords correctly. Improper connections can cause short circuits in **SPEAKERS** terminals.

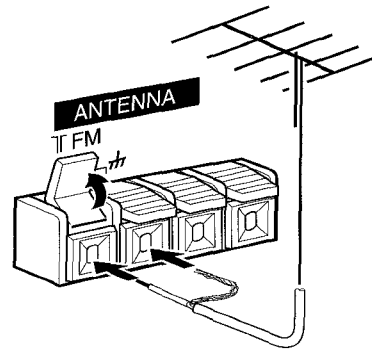


- Do not leave objects generating magnetism, such as credit cards, near the speakers, as the objects may be damaged.
- Do not bring the FM antenna near metal objects or curtain rails.
- Do not bring the AM antenna near other optional equipment, the stereo system itself, the AC cord or speaker cords, since noise will be picked up.
- Do not unwind the AM antenna wire.

**CONNECTING AN OUTDOOR ANTENNA**

For better FM reception, use of an outdoor antenna is recommended.

Connect the outdoor antenna to **FM 75 Ω** terminals.

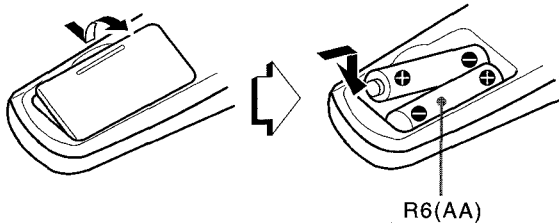


To connect other optional equipment → page 20.

## REMOTE CONTROL

### Inserting batteries

Detach the battery cover on the rear of the remote control and insert two R6 (size AA) batteries.



### When to replace the batteries

The maximum operational distance between the remote control and the sensor on the main unit should be approximately 5 meters (16 feet). When this distance decreases, replace the batteries with new ones.

### To use SHIFT on the remote control

Buttons ① have two different functions. One of these functions is indicated on the button, and the other on the plate above the button.

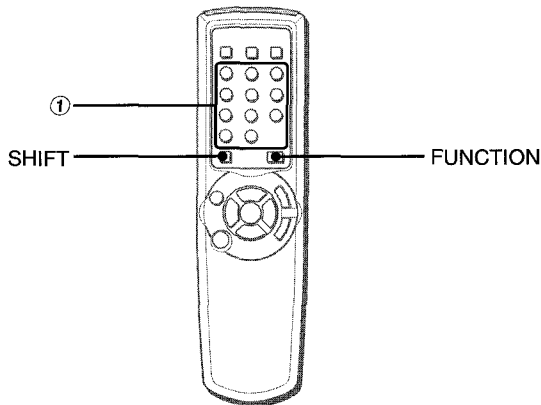
To use the function on the button, simply press the button.

To use the function on the plate above the button, press the button while pressing **SHIFT**.

### To use FUNCTION on the remote control

**FUNCTION** substitutes for the function buttons (**TAPE, TUNER/BAND, PHONO, VIDEO/AUX, CD**) on the main unit.

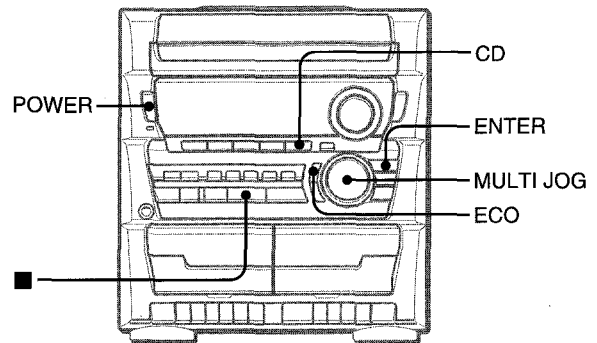
Each time **FUNCTION** is pressed, the next function is selected cyclically.



### NOTE

- If the remote control is not going to be used for an extended period of time, remove the batteries to prevent possible electrolyte leakage.
- The remote control may not operate correctly when:
  - The line of sight between the remote control and the remote sensor inside the display window is exposed to intense light, such as direct sunlight
  - Other remote controls are used nearby (those of a television, etc.)

## BEFORE OPERATION



### To turn the unit on

Press one of the function buttons (**TAPE, TUNER/BAND, PHONO, VIDEO/AUX, CD**). Playback of the inserted disc begins, or the previously tuned station is received (Direct Play Function). **POWER** is also available.

### To turn the power off

Press **POWER**.

### Illumination guide

Whenever **POWER** or one of the function buttons is pressed, the buttons for the selected operation light up or flash.

### Flash window

The window on the top of the unit lights up or flashes while the unit's power is on.

To turn off the light of the top window, press ■ while pressing **CD**. To turn back on, repeat the above.

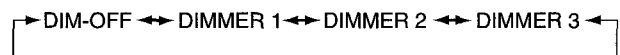
### NOTE

When you press **CD** to turn on/off the flash window, the **BLANK SKIP PLAY** is also switched to **ON/OFF**.

### To change the brightness level of the display

- 1 Press **ECO** so that "ECO MODE" is displayed.
- 2 Within 4 seconds, turn **MULTI JOG** to display "DIM MODE", and then press **ENTER** within 4 seconds.
- 3 Within 4 seconds, turn **MULTI JOG** to select the dimmer mode as below.

The mode will be automatically set after 4 seconds. It will also be set if **ENTER** is pressed within 4 seconds after step 3.



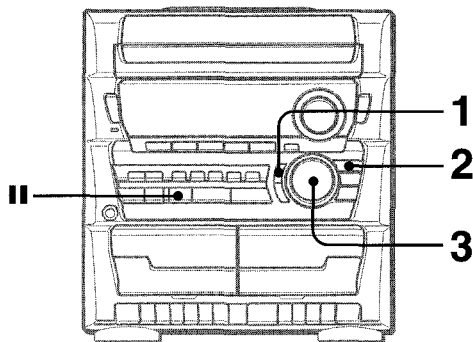
**DIM-OFF:** The normal display.

**DIMMER 1:** The illumination of the display is dimmer than usual.

**DIMMER 2:** The illumination of the display is dimmer than DIMMER 1.

**DIMMER 3:** The illumination of the display is dimmer than DIMMER 2. The spectrum analyzer, the window on the top of the unit, and the button lamps light off.

## SETTING POWER ECONOMIZING MODE

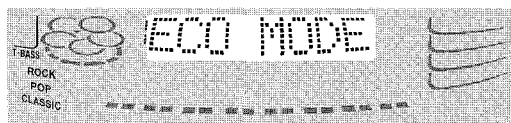


Setting this unit to power economizing mode reduces power consumption as follows.

- When the power is turned off, all the display lights turn off, and only the **STANDBY/ON** indicator lights. However, if the clock is not set, the game Demo (page 8) will begin when the power is turned off.
- If CD or Tape does not play for 10 minutes or if there is no audio input from any connected external equipment for 10 minutes when VIDEO/AUX or PHONO is selected as the source, the power shuts off.
- The display brightens only when operating the unit. When the unit has not been used for 10 seconds, the brightness level switches to the mode previously selected in "DIM MODE". (Page 6)  
(If the display brightness level is set to "DIM-OFF", the brightness does not change. When the level is "DIMMER 3", the button lamps are also turned off.)

### 1 Press ECO.

"ECO MODE" will be displayed.

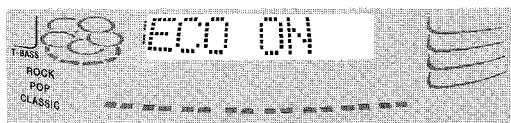


### 2 Press ENTER within 4 seconds.

The current power-economizing mode status will be displayed.  
If the power-economizing mode is OFF: ECO OFF  
If the power-economizing mode is ON: ECO ON

### 3 Turn MULTI JOG within 4 seconds to switch the power-economizing mode on or off.

Example: When "ON" is selected



The mode will be automatically set after 4 seconds. It will also be set if **ENTER** is pressed within 4 seconds after step 3.

### Standby power consumption

If the power-economizing mode is OFF: 19.3 W  
If the power-economizing mode is ON: 1.7 W

### NOTE

To view the clock when all the display lights turn off, press **II** so that the time is displayed for 4 seconds.

## 4-CHANNEL MULTI-AMPLIFIER SYSTEM

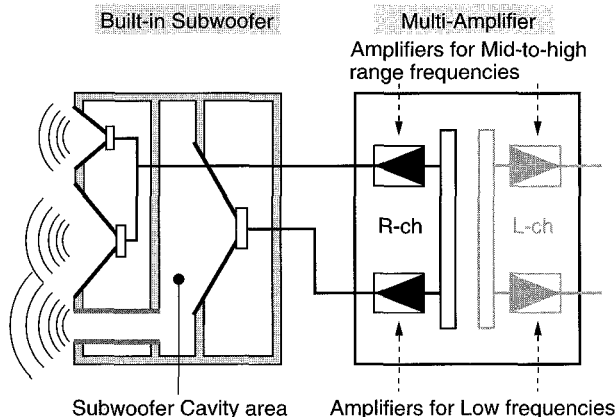
To provide reinforcement for the ultra-low frequencies, in addition to the Left/Right 2-channel amplifier used to reproduce mid-to-high-range frequencies, this system incorporates a second L/R 2-channel amplifier just for reproduction of ultra-low frequencies — making it, in effect, a 4-amplifier system. By utilizing discrete amplifiers for mid to-high-frequencies and low frequencies, high-quality sonic reproduction that is virtually free from distortion can be realized.

This Multi Amplifier System, which utilizes independent circuitry for the different frequency ranges, enables superb sonic reproduction free from distortion.

## BUILT-IN SUBWOOFER SYSTEM

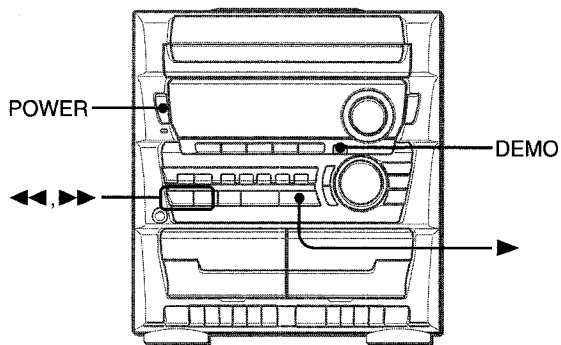
The built-in subwoofer System has a separate subwoofer cavity area that is part of the loudspeaker cabinet structure, which acts as a sonic filter to cut distortion components. (In the Multi Amplifier System, the ultra-low frequency signals transmitted from their own independent amplifier are reproduced in this area.) This separate construction gives a clear, rich definition to bass reproduction and it can realize clear, well-defined mid-to-high frequency signals.

And AIWA's built-in subwoofer system incorporates a subwoofer capable of powerful, satisfying bass performance with true stereo separation.



En

## GAME DEMO



When the AC cord is plugged into an AC outlet for the first time after purchase, the game Demo will begin in the display. When the power is turned on, the game Demo will end. When the power is turned off, the game Demo will begin again.

Until the clock is set, the game Demo will begin whenever the power is turned off.

When the clock is set, the game Demo will not begin even if the power is turned off. (See "SETTING THE CLOCK" on page 18.)

### To start or end game Demo when the clock is set

Press **DEMO** when the power is off, the game Demo will begin. To end the game Demo, press **DEMO** again.

### To play the game Demo

- 1 Press **DEMO** so that the game Demo displays.
- 2 Press **▶**.  
Three numbers on the display start to run.
- 3 Press **■** once.  
The number on the left side stops.
- 4 Press **■** twice to stop the remaining two numbers.

#### Scoring:

20 points are given to start the game.

If all the numbers are equal, 50 points are added to the score.

If not equal, one point is subtracted.

If the gained points reach 9999, you win.

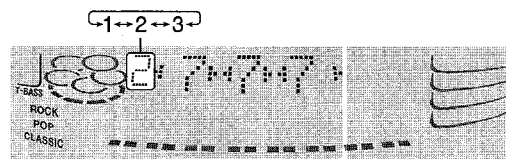
If the gained points fall to 0, you lose.

### To reset the game Demo

Press **DEMO** twice, then press **▶**. The game starts again.

### To change the probability of equalizing the three numbers

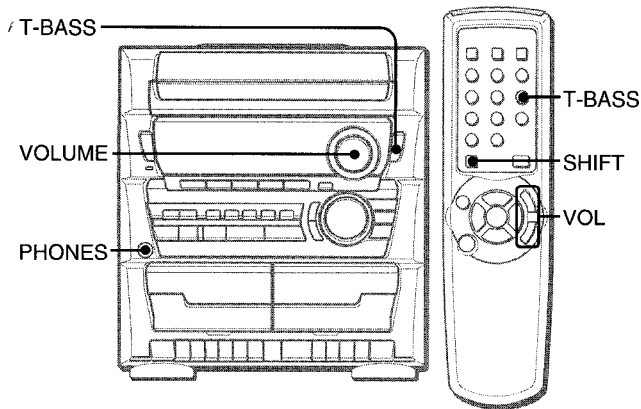
Press **◀◀** or **▶▶** repeatedly to select one of the three probability levels when playing the game Demo. The tray number indicator in the display changes between 1 and 3. As the tray number increases from 1 to 3, the higher the probability of equalizing.





### NOTE

- During the game Demo, **■**, **◀◀**, **▶▶** and **▶** are available only for the game Demo. Cancel the game Demo to use these buttons for the functions such as CD playing, etc.
- During the game Demo, some indicators unrelated with the actual operation light up on the display.

## AUDIO ADJUSTMENTS



### VOLUME CONTROL

Turn **VOLUME** on the main unit, or press **VOL**  or  on the remote control.

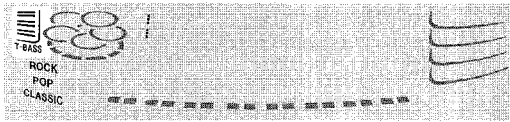
The volume level is displayed as a number from 0 to MAX (50). The volume level is automatically set to 20 when the power is turned off with the volume level set to 21 or more.

### SUPER T-BASS SYSTEM

The T-BASS system enhances the realism of low-frequency sound.

**Press T-BASS.**

Each time it is pressed, the level changes. Select one of the three levels or the off position to suit your preference.



**To select with the remote control**

Press **T-BASS** while pressing **SHIFT**.

#### NOTE

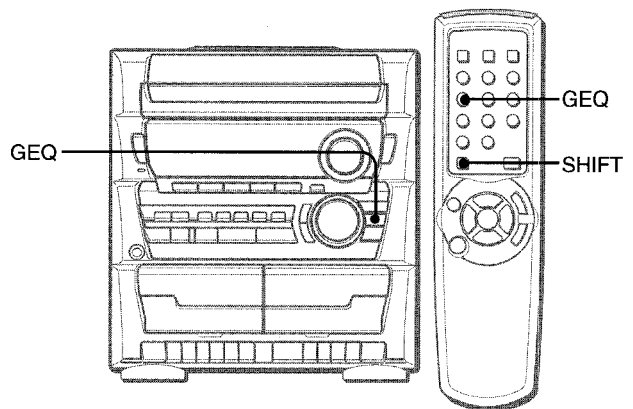
Low frequency sound may be distorted when the T-BASS system is used for a disc or tape in which low frequency sound is already emphasized. In this case, cancel the T-BASS system.

#### Using the headphones

Connect headphones to **PHONES** jack with a standard stereo plug (ø6.3 mm, 1/4 inch).

No sound is output from the speakers while the headphones are plugged in.

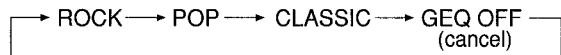
## GRAPHIC EQUALIZER



This unit provides the following three different equalization curves:  
**ROCK:** Powerful sound emphasizing treble and bass  
**POP:** More presence in the vocals and midrange  
**CLASSIC:** Enriched sound with heavy bass and fine treble

**Press GEQ repeatedly to select the equalization mode.**

The GEQ mode is displayed cyclically as follows.



The selected equalization mode is displayed.



**To cancel the selected mode**

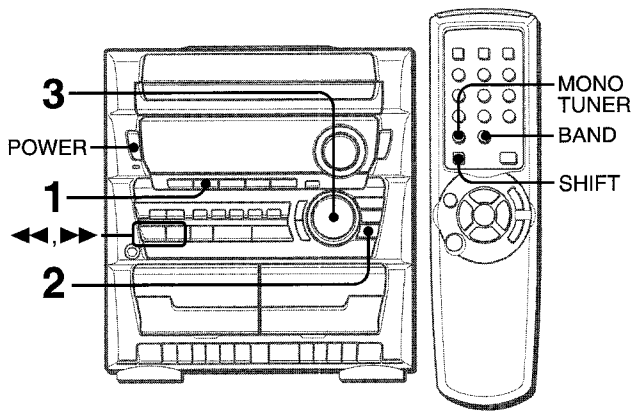
Press **GEQ** repeatedly until "GEQ OFF" is displayed.

**To select with the remote control**

Press **GEQ** repeatedly while pressing **SHIFT**.

\* **MULTI JOG** is also available to change the equalization mode.

**MANUAL TUNING**



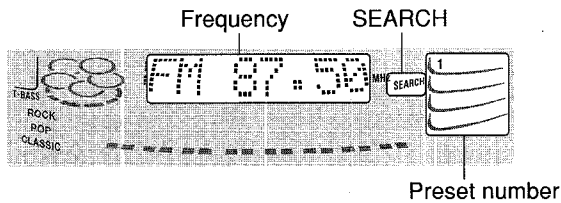
**1 Press TUNER/BAND to select the FM or AM band.**  
When **TUNER/BAND** is pressed while the power is off, the power is turned on directly (Direct Play Function).

**To select a band with the remote control**  
Press **BAND** while pressing **SHIFT**.

**2 Press TUNER PRESET repeatedly to select the manual tuning mode.**

Each time the button is pressed, the following three tuning modes are selected cyclically.

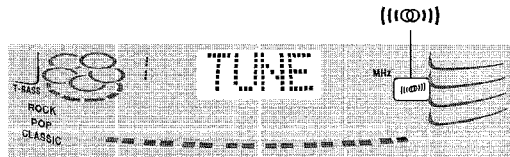
- ① **Preset tuning mode:** The preset number flashes.
- ② **Auto search mode:** "SEARCH" is displayed.
- ③ **Manual tuning mode:** "SEARCH" is not displayed and the preset number does not flash.



**NOTE**  
The preset tuning mode is skipped if no station is preset.

**3 Turn MULTI JOG clockwise or counter-clockwise to tune in to a station.**

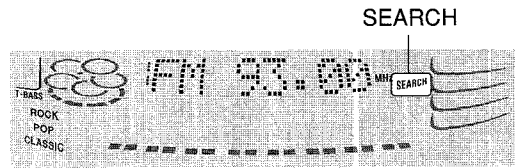
The frequency changes as you turn **MULTI JOG**. When a station is received, "TUNE" is displayed for 2 seconds. During FM stereo reception, ((Ⓜ)) is displayed.



- **◀◀DOWN** and **▶▶UP** are also available to tune in to a station.

**To search for a station quickly (Auto Search)**

Press **TUNER PRESET** repeatedly to display "SEARCH" (auto search mode), and turn **MULTI JOG** clockwise or counterclockwise until the frequency starts to change rapidly. After tuning in to a station, the search stops.

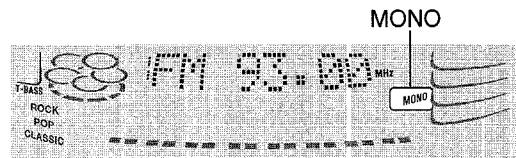


To stop the Auto Search manually, turn **MULTI JOG** a little in either direction.

- The Auto Search may not stop at the stations with very weak signals.
- **◀◀DOWN** and **▶▶UP** are also available to search for a station. Keep **◀◀DOWN** or **▶▶UP** pressed until the tuner starts searching. Press the button to stop the search manually.

**When an FM stereo broadcast contains noise**

Press **MONO TUNER** on the remote control while pressing **SHIFT** so that "MONO" appears on the display. Noise is reduced, although reception is monaural.



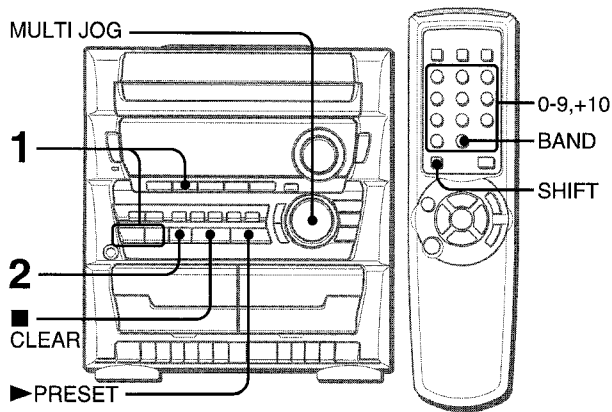
To restore stereo reception, press **MONO TUNER** on the remote control while pressing **SHIFT** so that "MONO" disappears.

**To change the AM tuning interval**

The default setting of the AM tuning interval is 10 kHz/step. If you use this unit in an area where the frequency allocation system is 9 kHz/step, change the tuning interval. Press **POWER** while pressing **▶** on the unit. To reset the interval, repeat this procedure.

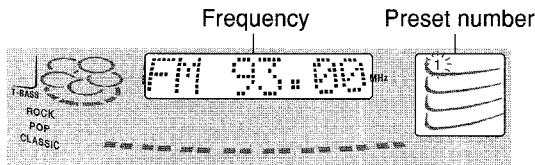
**NOTE**  
When the AM tuning interval is changed, all preset stations are cleared. The preset stations have to be set again.

**PRESETTING STATIONS**



The unit can store a total of 32 preset stations. When a station is stored, a preset number is assigned to the station. Use the preset number to tune in to a preset station directly.

- 1 Press **TUNER/BAND** to select a band, and press **◀◀DOWN** or **▶▶UP** to select a station.
- 2 Press **IISET** to store the station.  
A preset number beginning from 1 in consecutive order for each band is assigned to the station.



- 3 Repeat steps 1 and 2.  
No more stations will be stored if a total of 32 preset stations have already been stored.

**NOTE**

"FULL" is displayed if you attempt to store more than 32 preset stations.

**PRESET NUMBER TUNING**

Use the remote control to select the preset number directly.

- 1 Press **BAND** while pressing **SHIFT** to select a band.
- 2 Press numbered buttons **0-9** and **+10** to select a preset number.  
Example:  
To select preset number 20, press **+10**, **+10** and **0**.  
To select preset number 15, press **+10** and **5**.

**Selecting a preset number on the main unit**

Press **TUNER/BAND** to select a band. Press **TUNER PRESET** repeatedly until the preset number flashes (preset tuning mode), and turn **MULTI JOG**. The preset numbers are selected in sequence as you turn **MULTI JOG**.

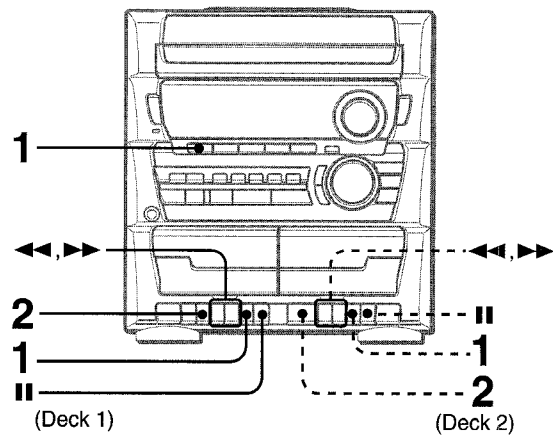
- **▶PRESET** is also available to select the preset number. Each time the button is pressed, the next highest number is selected.

**To clear a preset station**

Select the preset number of the station to be cleared with the numbered buttons. Then, press **■CLEAR**, and press **IISET** within 4 seconds.

The preset numbers of all other stations in the band with higher numbers are decreased by one.

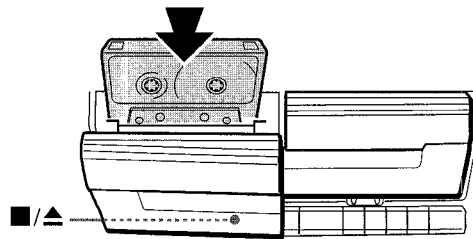
**BASIC OPERATIONS**



**Usable tapes**

Use Type I (normal) tapes only.

- 1 Press **TAPE**, then press **■/▲** to open the cassette holder.



Insert a tape with the exposed side down. Push the cassette holder to close.

- 2 Press **▶** to start play.

Only the side facing out from the unit can be played back.

**To stop play**, press **■/▲**.

**To pause play**, press **II**. To resume play, press again.

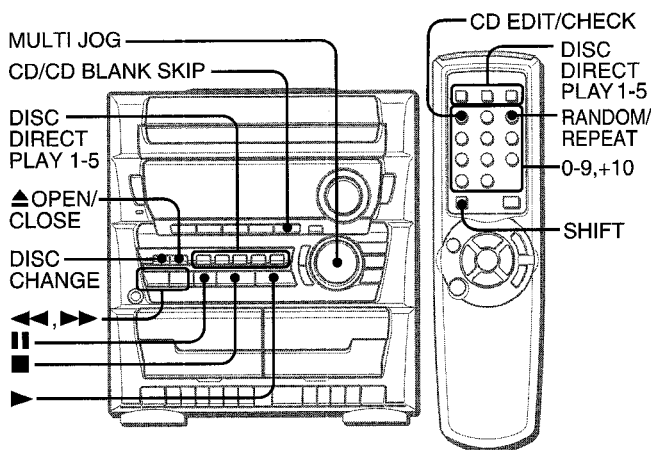
**To fast forward or rewind**, press **◀◀** or **▶▶** in stop mode. Then press **■/▲** to stop the tape.

**When both Deck 1 and Deck 2 are set in the playback mode**

Deck 2 is heard.



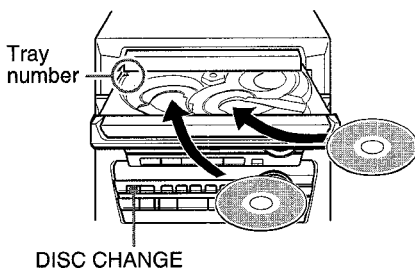
**BASIC OPERATIONS**



**LOADING DISCS**

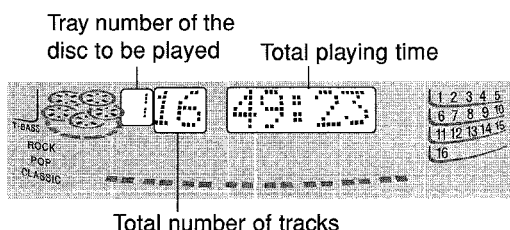
Press **CD**, then press **▲ OPEN/CLOSE** to open the disc compartment. Load disc(s) with the label side up.

To load one or two discs, place the disc(s) on the tray(s) in the direction of the arrows as illustrated.



To load three to five discs, press **DISC CHANGE** to rotate the trays after placing two discs. Place the next disc on empty tray. Each time **DISC CHANGE** is pressed, the trays rotate and one disc can be placed.

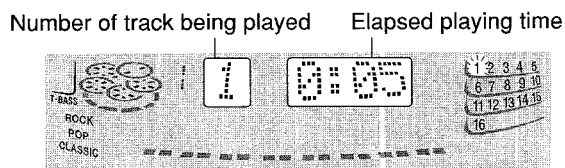
After placing the discs, press **▲ OPEN/CLOSE** to close the disc compartment. The display shows the information of the disc to be played.



**PLAYING DISCS**

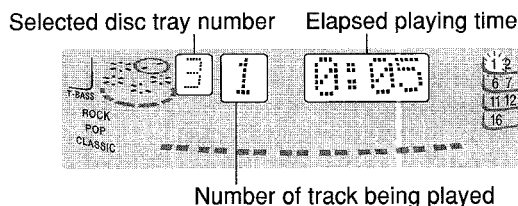
Load discs.

To play all discs in the disc compartment, press **▶**. Play begins with the disc on tray 1.



To play one disc only, press one of **DISC DIRECT PLAY 1-5**.

The selected disc is played once.



To stop play, press **■**.

To pause play, press **⏸**. To resume play, press again.

To search for a particular point during playback, keep **◀▶** or **▶▶** pressed and release the button at the desired point.

To skip to the beginning of a track during playback, turn **MULTI JOG** or press **◀◀** or **▶▶▶** repeatedly.

To remove discs, press **▲ OPEN/CLOSE**.

You can only remove the two discs that face you. When the disc(s) to be removed does(do) not face you, press **DISC CHANGE** repeatedly.

To start play when the power is off (Direct Play Function)

Press **CD**. The power is turned on and play of the loaded disc(s) begins.

When **▲ OPEN/CLOSE** is pressed, the power is also turned on and the disc compartment is opened.

To check the remaining time

During play, press **CD EDIT/CHECK** on the remote control while pressing **SHIFT**. The amount of time remaining until all tracks finish playing is displayed. To restore the playing time display, repeat the above.

Selecting a track with the remote control

- 1 Press one of **DISC DIRECT PLAY 1-5** to select a disc. To select disc 4 or 5, press **DISC DIRECT PLAY 4** or **5** while pressing **SHIFT**.
- 2 Press numbered buttons **0-9** and **+10** to select a track. Example:  
To select the 25th track, press **+10**, **+10** and **5**.  
To select the 10th track, press **+10** and **0**.  
The selected track starts to play and continues to the end of that disc.

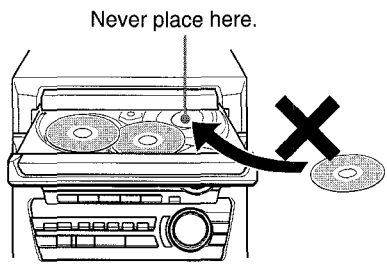
Replacing discs during play

While one disc is playing, the other discs can be replaced without interrupting play.

- 1 Press **DISC CHANGE**. Two discs can be replaced.
- 2 Remove the discs and replace with other discs. To replace the other two discs, press **DISC CHANGE** again.
- 3 Press **▲ OPEN/CLOSE** to close the disc compartment.

**NOTE**

- When loading an 8-cm (3-inch) disc, make sure to place it onto the inner circle of the tray precisely. Otherwise, the disc may be damaged or the disc compartment will not open. If it does not open, please consult your Aiwa dealer for repair.
  - Do not place more than one compact disc on one disc tray.
  - Do not tilt the unit with discs loaded. Doing so may cause malfunctions.
  - When transporting the unit, remove the discs from the trays.
  - When replacing the discs during play, do not replace discs other than those facing you.
- If you place a disc on the empty right inner tray, and then press **▲ OPEN/CLOSE**, "ERROR" is displayed and the disc compartment may not close. Remove the disc on that tray.
- Do not use irregular shape CDs (example: heart-shaped, octagonal ones). It may result in malfunctions.



**RANDOM/REPEAT PLAY**

Use the remote control.

**RANDOM play**

All the tracks on the selected disc or all the discs can be played randomly.

**REPEAT play**

A single disc or all the discs can be played repeatedly.

**Press RANDOM/REPEAT while pressing SHIFT.**

Each time it is pressed, the function can be selected cyclically.

- RANDOM play** — RANDOM lights up on the display.
- REPEAT play** — lights up on the display.
- RANDOM/REPEAT play** — RANDOM and light up on the display.
- Cancel** — RANDOM and disappear from the display.

**To play all discs,** press **▶** to start play.

**To play a single disc,** press one of **DISC DIRECT PLAY 1-5** to start play.

To select disc 4 or 5 from the remote control, press **DISC DIRECT PLAY 4** or **5** while pressing **SHIFT**.

**NOTE**

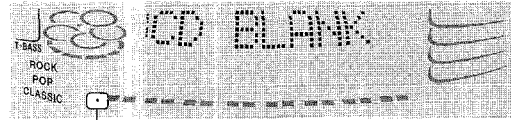
During random play it is not possible to skip to the previously played track with **◀◀**.

**BLANK SKIP PLAY**

The silent portions between tracks recorded on a CD can be skipped during playback.

**1 Press CD/CD BLANK SKIP on the main unit.**

"CD BLANK SKIP ON" is displayed and a small dot will appear in the display.



Small dot

**2 Press ▶ to start playback.**

The silent portions between tracks will be skipped, and the sound will be played back without interruption. If a track fades out (ends with the sound gradually decreasing), the fadeout portion will also be skipped.

**To return to normal playback**

Press **CD/CD BLANK SKIP** again. "CD BLANK SKIP OFF" is displayed and the dot in the display will disappear.

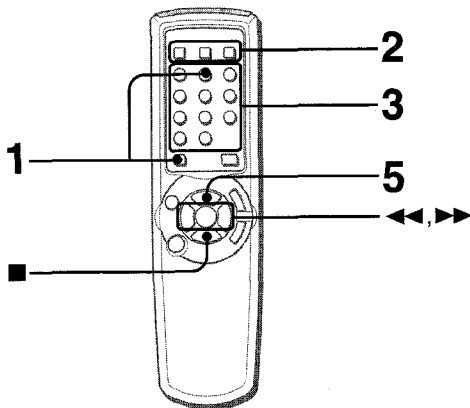
**NOTE**

- There may be a case where BLANK SKIP PLAY does not function correctly.
- BLANK SKIP PLAY is automatically canceled when performing AI EDIT RECORDING (page 16), PROGRAMMED EDIT RECORDING (page 17), or recording during PROGRAMMED PLAY (page 14) or RANDOM PLAY (page 13).
- When you press **CD/CD BLANK SKIP** to turn on/off the flash window, the BLANK SKIP PLAY is also switched to ON/OFF.

En

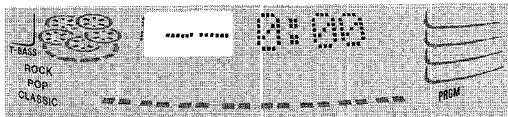
## PROGRAMMED PLAY

Up to 30 tracks can be programmed from any of the inserted discs.



Use the remote control.

- 1 Press PRGM while pressing SHIFT in stop mode.**  
“—” is displayed.



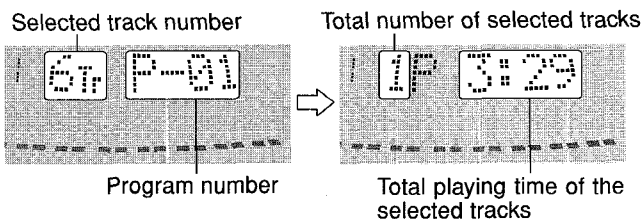
- 2 Press one of DISC DIRECT PLAY 1-5 to select a disc.**

To select disc 4 or 5, press **DISC DIRECT PLAY 4** or **5** while pressing **SHIFT**.  
Go to the next step when the tray stops rotating.

- 3 Press numbered buttons 0-9 and +10 to program a track.**

Example:

To select the 25th track, press **+10**, **+10** and **5**.  
To select the 10th track, press **+10** and **0**.



- 4 Repeat steps 2 and 3 to program other tracks.**
- 5 Press ► to start play.**

### To check the program

Each time ◀◀ or ▶▶ is pressed in stop mode, a disc number, track number, and program number will be displayed.

### To clear the program

Press ■ **CLEAR** in stop mode.

### To add tracks to the program

Repeat steps 2 and 3 in stop mode. The track will be programmed after the last track.

### To change the programmed tracks

Clear the program and repeat all the steps again.

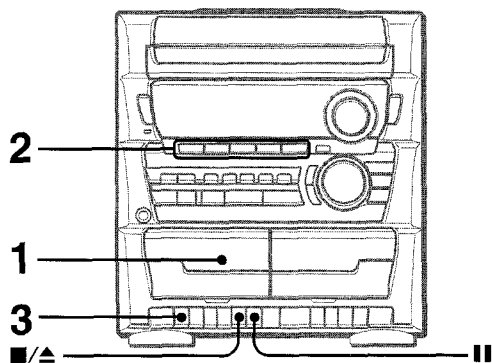
### To play the programmed tracks repeatedly

After programming the tracks, press **RANDOM/REPEAT** repeatedly while pressing **SHIFT** until ⇐ appears on the display.

### NOTE

- During programmed play, you can not use random play, check the remaining time or select a track.
- “FULL” is displayed if you attempt to program more than 30 tracks.

**BASIC RECORDING**

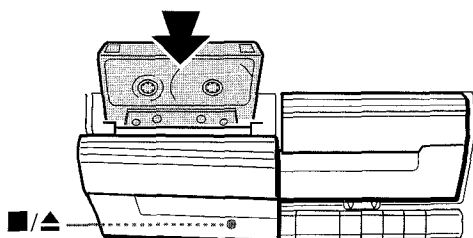


**Preparation**

- Use Type I (normal) tapes only.
- Set the tape to the point where recording will start.
- Note that recording is done on only one side of the tape.

**1 Insert the tape to be recorded on into Deck 1.**

Insert the tape with the side to be recorded on first facing out from the unit.



**2 Press one of the function buttons and prepare the source to be recorded.**

**To record from a CD**, press **CD** and load the disc(s).

**To record from a tape**, press **TAPE**. Then, insert the original tape into Deck 2 and play it.

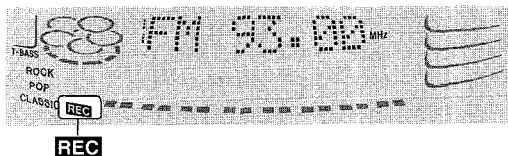
**To record from a radio broadcast**, press **TUNER/BAND** and tune in to a station.

**To record from a connected source**, press **PHONO** or **VIDEO/AUX** and play.

**3 Press ● on Deck 1 to start recording.**

▶ is depressed simultaneously.

When the selected function is CD, playback and recording start simultaneously.



**To stop recording**, press ■/▲ on Deck 1.

**To pause recording**, press || on Deck 1.

**To resume recording**, press it again.

**To record selected tracks of the CD**

Before pressing ●, program the tracks (Page 14).

**To record part of the CD**

When ● is pressed, recording always starts from the first track. To start in the middle of a track, play the CD first and press IISET for CD at the point you wish to start recording from. Then, press ●. The pause mode for CD button is released automatically and recording starts.

**Sound adjustment during recording**

The output volume and tone of the speakers or headphones are freely varied without affecting the recording.

**NOTE**

- Do not press the buttons on Deck 2 during recording.
- ● cannot be depressed if the erasure prevention tab on the side of the tape to be recorded is broken off.

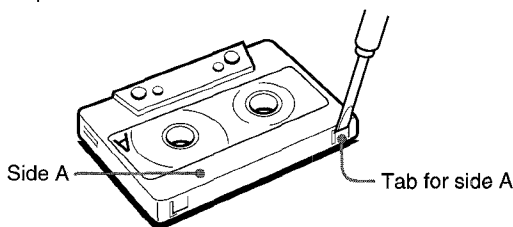
**To erase a recording**

A previous recording is erased when a new recording is made on that part of that tape.

- 1 Insert the tape you want to erase into Deck 1.
- 2 Press **TAPE** and stop all the tape operation in Deck 2.
- 3 Wind up the tape to the point where the erasure is to be started.
- 4 Press ● on Deck 1 to start the erasure.

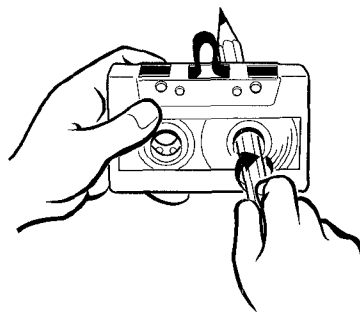
**About cassette tapes**

- **To prevent accidental erasure**, break off the plastic tabs on the cassette tape after recording with a screwdriver or other pointed tool.

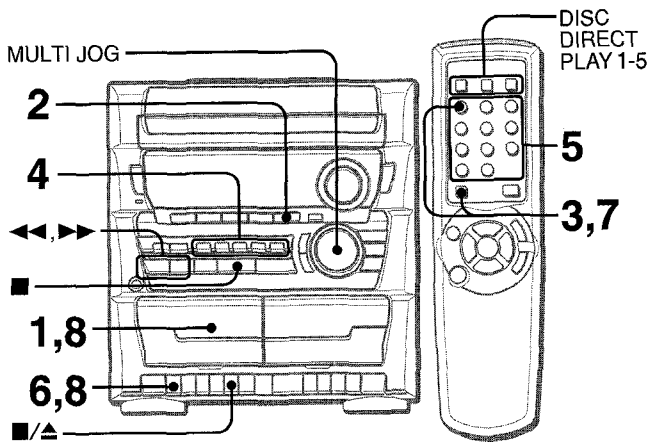


To record on the tape again, cover the tab openings with adhesive tape, etc.

- **120-minute or longer tapes** are extremely thin and easily deformed or damaged. They are not recommended.
- **Take up any slack** in the tape with a pencil or similar tool before use. Slack tape may break or jam in the mechanism.



# AI EDIT RECORDING



The AI edit recording function enables CD recording without worrying about tape length and track length. When a CD is inserted, the unit automatically calculates the total track length. If necessary, the order of tracks is rearranged so that no track is cut short.

(AI: Artificial Intelligence)

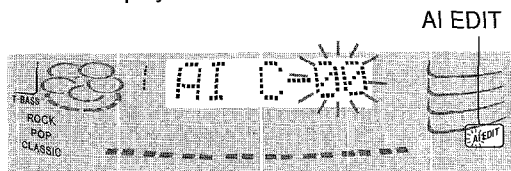
## 1 Insert the tape into Deck 1.

Insert the tape with the side to be recorded on first facing out from the unit, and wind up the tape with ◀▶.

## 2 Press CD and load the disc(s).

## 3 Press CD EDIT/CHECK once while pressing SHIFT on the remote control.

"AI EDIT" is displayed.



• When "PRGM" is displayed, press **CD EDIT/CHECK** while pressing **SHIFT** again.

## 4 Press one of DISC DIRECT PLAY 1-5 to select a disc.

To select disc 4 or 5 from the remote control, press **DISC DIRECT PLAY 4** or **5** while pressing **SHIFT**.

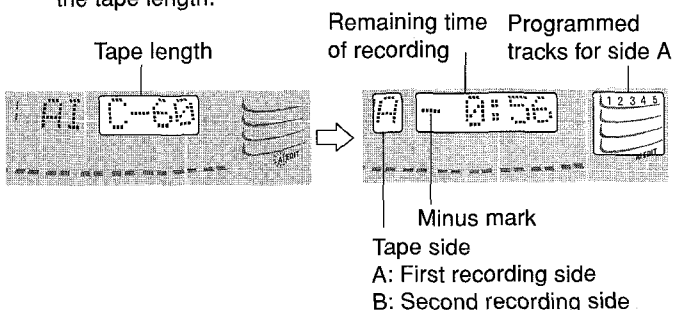
## 5 Press numbered buttons 0-9 on the remote control to designate the tape length.

10 to 99 minutes can be specified.

Example: When using a 60-minute tape, press **6** and **0**.

In a few seconds, the tracks to be recorded on each side of the tape are determined.

• ◀▶, ▶▶ or **MULTI JOG** are also available to designate the tape length.



## 6 Press ● on Deck 1 to start recording on the first side.

**REC** flashes for 10 seconds, and then CD play and recording of edited tracks for the first side start simultaneously. When the end of the tape is reached, Deck 1 enters the recording stop mode. After entering the recording stop mode go to step 7.

## 7 Press CD EDIT/CHECK while pressing SHIFT on the remote control to display the program for the second recording.

"B" is displayed.

## 8 Turn over the tape in Deck 1 and press ● to start recording on the second side.

### To stop recording

Press ◻/▲ on Deck 1.

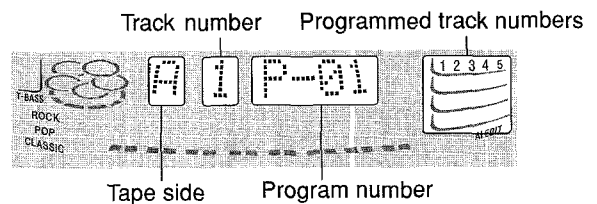
Recording and CD play stop simultaneously.

### To clear the edit program

Press ◻ **CLEAR** twice in the stop mode so that "EDIT" disappears on the display, or press ▲ **OPEN/CLOSE**.

### To check the order of the programmed track numbers

Before recording, press **CD EDIT/CHECK** while pressing **SHIFT** on the remote control to select side A or B, and press ◀▶ or ▶▶ repeatedly or turn **MULTI JOG**.



### To add tracks from other discs to the edit program

If there is any time remaining on the tape after step 5, you can add tracks from other discs in the CD compartment.

1 Press **CD EDIT/CHECK** while pressing **SHIFT** on the remote control to select side A or B.

2 Press one of **DISC DIRECT PLAY 1-5** to select a disc.

To select disc 4 or 5 from the remote control, press **DISC DIRECT PLAY 4** or **5** while pressing **SHIFT**.

3 Press numbered buttons on the remote control to select tracks.

A track whose playing time is longer than the remaining time cannot be programmed.

4 Repeat steps 2 and 3 to add more tracks.

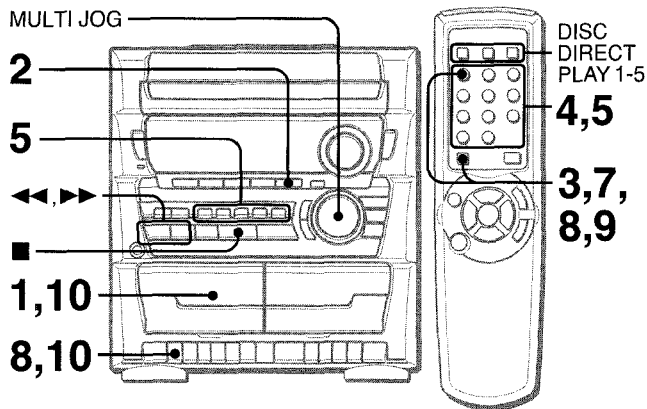
### Time on cassette tapes and editing time

The actual cassette recording time is usually a little longer than the specified recording time printed on the label. This unit can program tracks to use the extra time. When the total recording time is a little longer than the tape's specified recording time after editing, the display shows the extra time (without a minus mark), instead of the time remaining on the tape (with the minus mark).

### NOTE

The AI edit recording function cannot be used with discs containing 31 tracks or more. "TR OVER" is displayed if this is attempted.

# PROGRAMMED EDIT RECORDING



In the programmed edit recording function the tracks can be programmed while checking the remaining time on each side of the tape as the tracks are programmed.

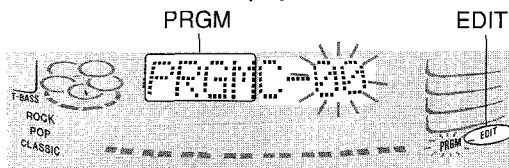
## 1 Insert the tape into Deck 1.

Insert the tape with the side to be recorded on first facing out from the unit, and wind up the tape with ◀◀.

## 2 Press CD and load the disc(s).

## 3 Press CD EDIT/CHECK twice while pressing SHIFT on the remote control.

"EDIT" and "PRGM" are displayed.

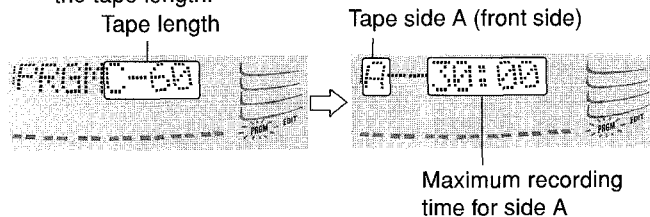


• When "AI" is displayed, press CD EDIT/CHECK while pressing SHIFT again.

## 4 Press numbered buttons on the remote control to designate the tape length.

10 to 99 minutes can be specified.

• ◀◀, ▶▶ or MULTI JOG are also available to designate the tape length.

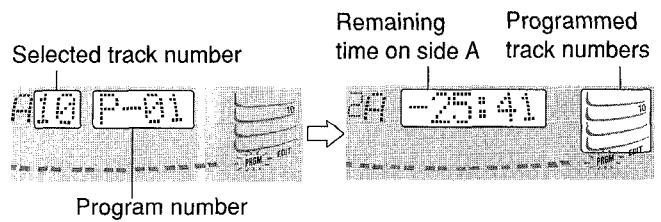


## 5 Press one of DISC DIRECT PLAY 1-5 to select a disc.

Then, press numbered buttons 0-9 and +10 on the remote control to program a track.

To select track 4 or 5 from the remote control, press DISC DIRECT PLAY 4 or 5 while pressing SHIFT.

Example: To select the 10th track of disc 2, press DISC DIRECT PLAY 2, then press +10 and 0.

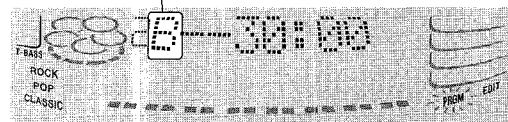


## 6 Repeat step 5 for the rest of the tracks for side A.

A track whose playing time is longer than the remaining time cannot be programmed.

## 7 Press CD EDIT/CHECK while pressing SHIFT on the remote control to select side B and program the tracks for side B.

Tape side B (reverse side)



## 8 Press CD EDIT/CHECK while pressing SHIFT to select side A and press ● on Deck 1.

REC flashes for 10 seconds, and then CD play and recording of edited tracks for the first side start simultaneously. When the end of the tape is reached, Deck 1 enters the recording stop mode. After entering the recording stop mode, go to step 9.

## 9 Press CD EDIT/CHECK while pressing SHIFT on the remote control for recording of the second side.

"B" is displayed.

## 10 Turn over the tape in Deck 1 and press ● to start recording.

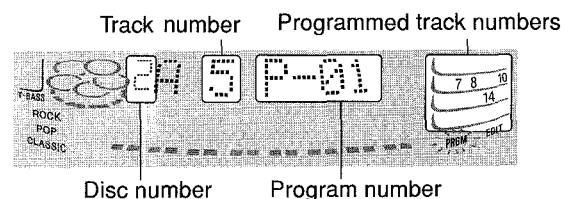
Recording starts.

### To stop recording

Press ■/▲ on Deck 1. Recording and CD play stop simultaneously.

### To check the order of the programmed track numbers

Before recording, press CD EDIT/CHECK while pressing SHIFT on the remote control to select side A or B, and press ◀◀ or ▶▶ repeatedly.



### To change the program of each side

Press CD EDIT/CHECK while pressing SHIFT on the remote control to select side A or B, and press ■ CLEAR to clear the program on the selected side. Then program tracks again.

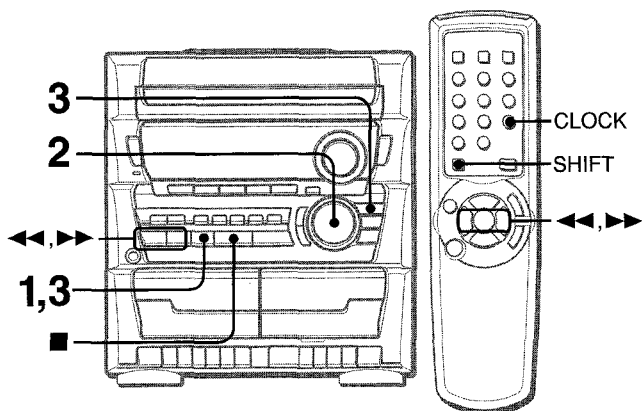
### To clear the edit program

Press ■ CLEAR twice in stop mode so that "EDIT" disappears on the display.

### NOTE

- Recording is inhibited if the erasure prevention tab for the side of the tape facing out from the unit is broken off.
- Up to 30 tracks can be programmed from any of the inserted discs.
- "FULL" is displayed if you attempt to programme more than 30 tracks.

**SETTING THE CLOCK**



When the clock is set, the “:” between the hours and minutes flashes. When the clock setting is canceled due to a power failure, the entire clock display flashes.

**1 Press II.**

When using the remote control, press **CLOCK** while pressing **SHIFT**.



**2 Within 4 seconds, turn MULTI JOG to designate the hour and the minute.**

Turning **MULTI JOG** changes both the hour and the minute. ◀ or ▶ is also available instead of **MULTI JOG**. Holding these buttons down will vary the time rapidly.

**3 Press ENTER or III.**

The clock starts from 00 seconds.

**To view the clock when another display is in the display**  
Press **CLOCK** while pressing **SHIFT**. The time is displayed for 4 seconds and then the original display reappears. However, the clock cannot be displayed during recording.

**To switch to the 24-hour standard**

Press **II** and then press **■** within 4 seconds. Repeat the same procedure to restore the 12-hour standard.

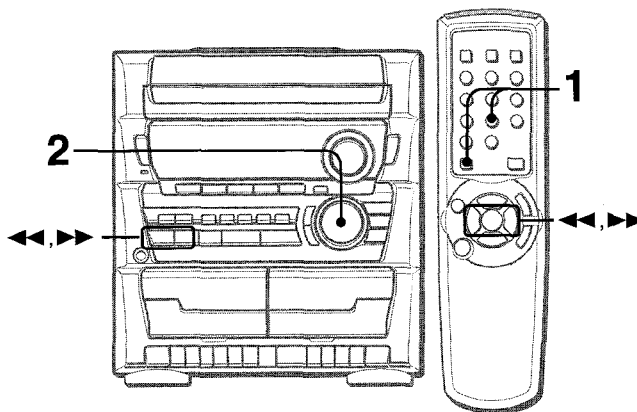
**If the clock display flashes**

If the display flashes when the clock is displayed, it indicates that the clock has stopped due to a power failure or the removal of the power cord. The current time needs to be reset.

**NOTE**

If the power-economizing mode (page 7) is on, all the display lights turn off when the power is turned off. To view the clock, press **II** so that the time is displayed for 4 seconds.

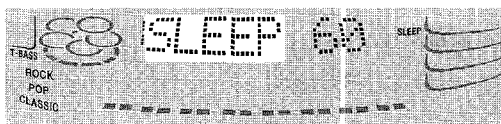
**SETTING THE SLEEP TIMER**



The unit can be turned off automatically at a specified time.

Use the remote control.

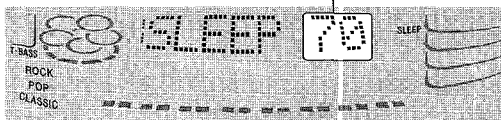
**1 Press SLEEP while pressing SHIFT on the remote control.**



**2 Within 4 seconds, turn MULTI JOG or press ◀ or ▶ to specify the time until the power is turned off.**

The time changes between 5 and 240 minutes in 5-minute steps.

Specified time



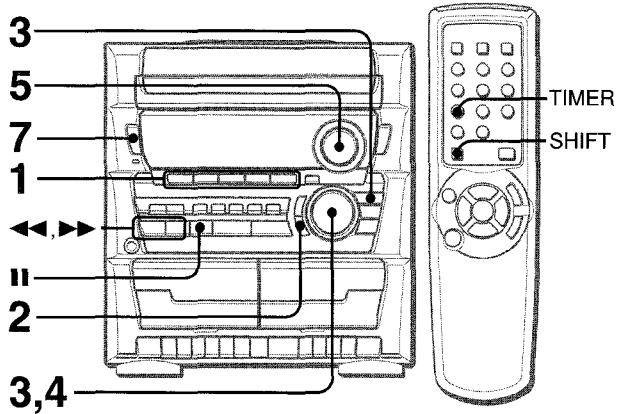
**To check the time remaining until the power is turned off**  
Press **SLEEP** once while pressing **SHIFT**. The remaining time is displayed for 4 seconds.

**To cancel the sleep timer**

Press **SLEEP** twice while pressing **SHIFT** so that “SLEEPoFF” appears on the display.



# SETTING THE TIMER

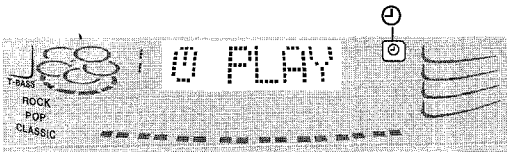


The unit can be turned on at a specified time every day with the built-in timer.

**Preparation**

Make sure the clock is set correctly.

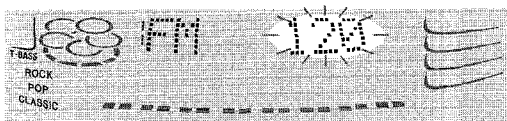
- 1 Press one of the function buttons to select a source.**
- 2 Press TIMER to display ☉ and PLAY.**  
When using the remote control, press **TIMER** while pressing **SHIFT**.  
Time and audio source name flash alternately.



- 3 Within 6 seconds, turn MULTI JOG to designate the timer-on time, then press ENTER or .**  
Turning **MULTI JOG** changes both the hour and the minute.  
◀◀ or ▶▶ is also available instead of **MULTI JOG**. Holding these buttons down will vary the time rapidly.



- 4 Within 4 seconds, turn MULTI JOG to select the duration for the timer-activated period.**  
The duration can be set between 5 and 240 minutes in 5-minute steps.  
• ◀◀ or ▶▶ is also available instead of **MULTI JOG**.



The duration will be automatically set after 4 seconds. It will also be set if **ENTER** or  is pressed within 4 seconds after step 4.

**5 Adjust the volume.**

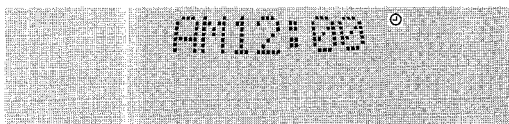
The source sound will play at the volume level set in this step when the power is turned on by the timer. If the volume level is set to 21 or higher, however, it will automatically be set to 20 when the power is turned on.

**6 Prepare the source.**

- To listen to a CD, load the disc to be played first on tray 1.
- To listen to a tape, insert the tape into deck 1 or 2.
- To listen to the radio, tune in to a station.

**7 Press POWER to turn off the power.**

☉ remains on the display after the power is turned off (timer standby mode) if the power-economizing mode is OFF.



**8 Get ready for the TAPE function or the timer recording.**

- To listen to the tape, press  on Deck 1 or 2.
- To record the source, insert the tape into Deck 1 and press  on Deck 1.

When the timer-on time is reached, the unit turns on and begins play with the selected source.

**NOTE**

- You can change the source that was selected in step 1 by pressing one of the function buttons before pressing **ENTER** or  in step 3.
- If the power-economizing mode is ON, ☉ is not displayed in the timer standby mode.

En

**The timer recording period and tape length**

When the length of the tape to be recorded is shorter than the timer recording period,  on deck 1 is released before the timer is off.

When the tape length is longer than the timer recording period,  is not released. If  is not released for a long time, the tape in the deck may be damaged. Press / to release .

## OTHER CONNECTIONS

### CONNECTING OPTIONAL EQUIPMENT

#### To check the timer setting

Press **TIMER**.

The selected source, the timer-on time, and the duration for the timer-activated period will be displayed for 4 seconds.

#### To change any of the previous setting

Carry out from step 1.

However, if you do not change the timer-on time, in step 3 just press **ENTER** twice and continue from step 4.

#### To cancel the timer standby mode temporarily

Press **TIMER** so that  $\ominus$  disappears.

To restore the timer standby mode, press **TIMER** again to display  $\ominus$ .

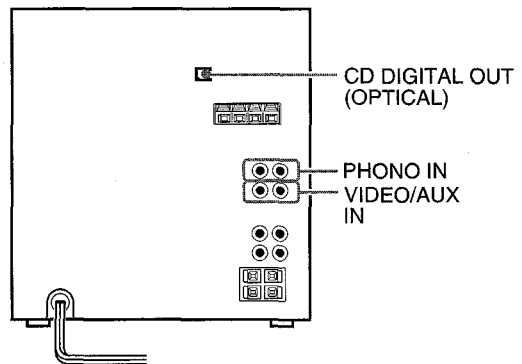
#### Using the unit while the timer is set

You can use the unit normally after setting the timer.

Before turning off the power, carry out step 5 and 6.

#### NOTE

- Timer playback and timer recording will not begin unless the power is turned off.
- Connected equipment cannot be turned on and off by the built-in timer of this unit. Use an external timer.



Refer to the operating instructions of the connected equipment for details.

- The connecting cords are not supplied. Obtain the necessary connecting cords.
- Consult your local Aiwa dealer for optional equipment.

### VIDEO/AUX IN JACKS

This unit can input analog sound signals through these jacks. Use a cable with RCA phono plugs to connect audio equipment (LD players, MD players, VCRs, TV, etc.). Connect the red plug to **VIDEO/AUX IN R** jack, and the white plug to **VIDEO/AUX IN L** jack.

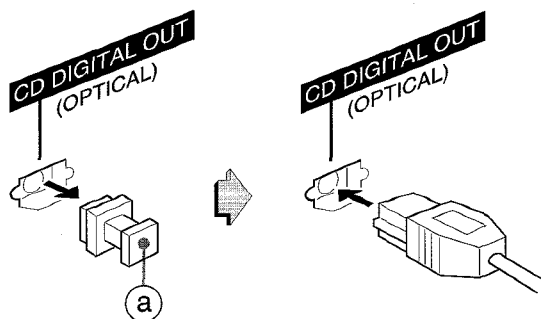
### PHONO IN JACKS

Connect a turntable. Use an AIWA turntable equipped with a built-in equalizer amplifier.

### CD DIGITAL OUT (OPTICAL) JACK

This unit can output CD digital sound signals through this jack. Use an optical cable to connect digital audio equipment (DAT deck, MD recorder, etc.).

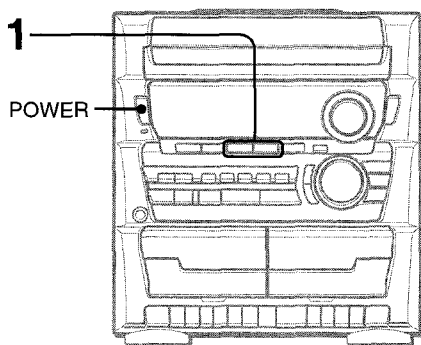
Remove the dust cap  $\textcircled{a}$  from the **CD DIGITAL OUT (OPTICAL)** jack. Then, connect an optical cable plug to the **CD DIGITAL OUT (OPTICAL)** jack.



**When the CD DIGITAL OUT (OPTICAL) jack is not being used**

Attach the supplied dust cap.

## LISTENING TO EXTERNAL SOURCES



To play equipment connected to **PHONO IN** or **VIDEO/AUX IN** jacks proceed as follows.

**1 Press PHONO or VIDEO/AUX.**

"PHONO" or "VIDEO" appears on the display.

**2 Play the connected equipment.**

**To change a source name on the display**

When **VIDEO/AUX** is pressed, "VIDEO" is displayed initially. It can be changed to "AUX" or "TV".

With the power on, press **POWER** while pressing **VIDEO/AUX**. Repeat the procedure to select one of the names.

## CARE AND MAINTENANCE

Occasional care and maintenance of the unit and the software are needed to optimize the performance of your unit.

**To clean the cabinet**

Use a soft and dry cloth.

If the surfaces are extremely dirty, use a soft cloth lightly moistened with mild detergent solution. Do not use strong solvents, such as alcohol, benzine or thinner as these could damage the finish of the unit.

**To clean the tape heads**

When the tape heads are dirty;

- high frequency sound is not emitted
- the sound is not adequately high
- the sound is off-balance
- the tape cannot be erased
- the tape cannot be recorded on

After every 10 hours of use, clean the tape heads with a head cleaning cassette.

Refer to the instructions of the cleaning cassette for details.

**To demagnetize the tape heads**

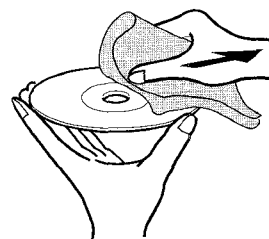
The tape heads may become magnetized after long-term use. This may narrow the output range of recorded tapes and increase noise.

After every 20 to 30 hours of use, demagnetize the tape heads with a separately sold demagnetizing cassette.

Refer to the instructions of the demagnetizing cassette for details.

**Care of discs**

- When a disc becomes dirty, wipe the disc from the center out with a cleaning cloth.



- After playing a disc, store the disc in its case. Do not leave the disc in places that are hot or humid.

**Care of tapes**

- Store tapes in their cases after use.
- Do not leave tapes near magnets, motors, television sets, or any source of magnetism. This will downgrade the sound quality and cause noise.
- Do not expose tapes to direct sunlight, or leave them in a car parked in direct sunlight.

## TROUBLESHOOTING GUIDE

If the unit fails to perform as described in these Operating Instructions, check the following guide.

### GENERAL

#### There is no sound.

- Is the AC cord connected properly?
- Is there a bad connection? (→ page 4)
- There may be a short circuit in the speaker terminals.
  - Disconnect the AC cord, then correct the speaker connections.
- Was an incorrect function button pressed?

#### Sound is emitted from one speaker only.

- Is the other speaker disconnected?

#### An erroneous display or a malfunction occurs.

- Reset the unit as stated below.

### TUNER SECTION

#### There is constant, wave-like static.

- Is the antenna connected properly? (→ page 5)
- Is the signal weak?
  - Connect an outdoor antenna.

#### The reception contains noise interferences or the sound is distorted.

- Is the system picking up external noise or multipath distortion?
  - Change the orientation of the antenna.
  - Move the unit away from other electrical appliances.

### CASSETTE DECK SECTION

#### The tape does not run.

- Is the deck in pause mode? (→ page 11)

#### The sound is off-balance or not adequately high.

- Is the playback head dirty? (→ page 21)

#### Recording is not possible.

- Is the erasure prevention tab on the tape broken off? (→ page 15)
- Is the recording head dirty? (→ page 21)

#### Erasure is not possible.

- Is the erasure head dirty? (→ page 21)
- Is a metal tape being used?

#### High frequency sound is not emitted.

- Is the recording/playback head dirty? (→ page 21)

### CD PLAYER SECTION

#### The CD player does not play.

- Is the disc correctly placed? (→ page 12)
- Is the disc dirty? (→ page 21)
- Is the lens affected by condensation?
  - Wait approximately one hour and try again.

#### To reset

If an unusual condition occurs in the display window or the cassette decks, reset the unit as follows.

- 1 Press **POWER** to turn off the power.
- 2 Press **POWER** to turn the power back on while pressing **■CLEAR**. Everything stored in memory after purchase is canceled.

If the power cannot be turned off in step 1 because of a malfunction, reset by disconnecting the AC cord, and connect it again. Then carry out step 2.

## SPECIFICATIONS

### Main unit CX-ZL30

#### FM tuner section

Tuning range	87.5 MHz to 108 MHz
Usable sensitivity (IHF)	13.2 dBf
Antenna terminals	75 ohms (unbalanced)

#### AM tuner section

Tuning range	530 kHz to 1710 kHz (10 kHz step) 531 kHz to 1602 kHz (9 kHz step)
Usable sensitivity	350 $\mu$ V/m
Antenna	Loop antenna

#### Amplifier section

##### Mid-high frequency amplifier

Power output	15 W + 15 W (200 Hz – 20 kHz, THD less than 1 %, 8 ohms)
Total harmonic distortion	0.06 % (5 W, 1 kHz, 8 ohms, DIN AUDIO)

##### Low frequency amplifier

Power output	45 W + 45 W (50 Hz – 200 Hz, THD less than 1 %, 4 ohms)
Total harmonic distortion	0.1 % (15 W, 135 Hz, 4 ohms, DIN AUDIO)

#### Inputs

VIDEO/AUX: 310 mV (adjustable)  
PHONO: 400 mV

#### Outputs

SPEAKERS HIGH FREQ:  
accept speakers of 8 ohms or more  
SPEAKERS LOW FREQ:  
accept speakers of 4 ohms or more  
SURROUND SPEAKERS: accept speakers of 8 – 16 ohms  
PHONES (stereo jack): accepts headphones of 32 ohms or more

### Cassette deck section

#### Track format

4 tracks, 2 channels stereo

#### Frequency response

50 Hz – 12500 Hz

#### Recording system

AC bias

#### Heads

Deck 1: Recording/playback head  
 $\times$  1, erase head  $\times$  1  
Deck 2: Playback head  $\times$  1

### Compact disc player section

#### Laser

Semiconductor laser ( $\lambda = 780$  nm)

#### D-A converter

1 bit dual

#### Signal-to-noise ratio

85 dB (1 kHz, 0 dB)

#### Harmonic distortion

0.05 % (1 kHz, 0 dB)

#### Wow and flutter

Unmeasurable

#### General

##### Power requirements

120 V AC, 60 Hz

##### Power consumption

110 W

##### Dimensions of main unit

360  $\times$  394.5  $\times$  386 mm

##### (W $\times$ H $\times$ D)

(14 $\frac{1}{4}$   $\times$  15 $\frac{5}{8}$   $\times$  15 $\frac{1}{4}$  in.)

##### Weight of main unit

9 kg (19 lbs. 13 oz)

### Speaker system SX-WZL60

#### Cabinet type

3 way, built-in subwoofer

#### Speakers

Subwoofer:  
220 mm (8 $\frac{3}{4}$  in.) cone type  
Full range:  
120 mm (4 $\frac{3}{4}$  in.) cone type  
Super tweeter:  
20 mm (1 $\frac{3}{16}$  in.) ceramic type

#### Impedance

4 ohms/8 ohms

#### Output sound pressure level

89 dB/W/m

#### Dimensions (W $\times$ H $\times$ D)

290  $\times$  444  $\times$  296 mm

(11 $\frac{1}{2}$   $\times$  17 $\frac{1}{2}$   $\times$  11 $\frac{3}{4}$  in.)

#### Weight

6.5 kg (14 lbs. 5 oz)

Specifications and external appearance are subject to change without notice.

**COPYRIGHT**

Please check the laws on copyright relating to recordings from discs, radio or external tape for the country in which the machine is being used.

**NOTE**

This equipment has been tested and found to comply with the limits for a Class B digital device, pursuant to Part 15 of the FCC Rules. These limits are designed to provide reasonable protection against harmful interference in a residential installation.

This equipment generates, uses, and can radiate radio frequency energy and, if not installed and used in accordance with the instructions, may cause harmful interference to radio communications. However, there is no guarantee that interference will not occur in a particular installation. If this equipment does cause harmful interference to radio or television reception, which can be determined by turning the equipment off and on, the user is encouraged to try to correct the interference by one or more of the following measures:

- Reorient or relocate the receiving antenna.
- Increase the separation between the equipment and receiver.
- Connect the equipment into an outlet on circuit different from that to which the receiver is connected.
- Consult the dealer or an experienced radio/TV technician for help.

**CAUTION**

Modifications or adjustments to this product, which are not expressly approved by the manufacturer, may void the user's right or authority to operate this product.

## ADVERTENCIA

PARA REDUCIR EL RIESGO DE INCENDIOS O SACUDIDAS ELECTRICAS, NO EXPONGA ESTE APARATO A LA LLUVIA NI A LA HUMEDAD.



Explicación de los símbolos gráficos:



El símbolo del rayo con punta de flecha, en el interior de un triángulo equilátero, tiene la finalidad de avisar al usuario de la presencia de “tensiones peligrosas” sin aislar en el interior del producto que podrían ser de suficiente magnitud como para constituir un riesgo de sacudida eléctrica para las personas.



El signo de exclamación en el interior de un triángulo equilátero tiene la finalidad de avisar al usuario de la presencia de instrucciones de operación y mantenimiento (reparación) en el material impreso que acompaña al aparato.

## Anotación del propietario

Para su conveniencia, anote el número de modelo y el número de serie (los encontrará en el panel trasero de su aparato) en el espacio suministrado más abajo. Menciónelos cuando se ponga en contacto con su concesionario Aiwa en caso de tener dificultades.


Nº de modelo	Nº de serie (Nº de lote)
CX-ZL30	
SX-WZL60	
SX-R276	

## PRECAUCIONES

Lea cuidadosa y completamente el manual de instrucciones antes de utilizar la unidad. Asegúrese de guardar el manual de instrucciones para utilizarlo como referencia en el futuro. Todas las advertencias y precauciones del manual de instrucciones y de la unidad deberán cumplirse estrictamente, así como también las sugerencias de seguridad mencionadas más abajo.

### Instalación

- 1 Agua y humedad** — No utilice esta unidad cerca del agua como, por ejemplo, cerca de una bañera, una palangana, una piscina o algo similar.
- 2 Calor** — No utilice esta unidad cerca de fuentes de calor, incluyendo salidas de aire caliente, estufas u otros aparatos que generen calor.  
Tampoco deberá someterse a temperaturas inferiores a 5°C ni superiores a 35°C.

- 3 Superficie de montaje** — Ponga la unidad sobre una superficie plana y nivelada.
- 4 Ventilación** — La unidad deberá situarse donde tenga suficiente espacio libre a su alrededor, para que la ventilación apropiada quede asegurada. Deje un espacio libre de 10 cm por la parte posterior y superior de la unidad, y 5 cm por cada lado.
  - No ponga la unidad sobre una cama, una alfombra o superficies similares que podrían tapar las aberturas de ventilación.
  - No instale la unidad en una librería, mueble o estantería cerrada herméticamente donde la ventilación no sea adecuada.
- 5 Entrada de objetos y líquidos** — Tenga cuidado de que pequeños objetos y líquidos no entren en la unidad por las aberturas de ventilación.
- 6 Carros de mano y soportes** — Cuando ponga o monte la unidad en un soporte o carro de mano, ésta deberá moverse con mucho cuidado.
 

Las paradas repentinas, la fuerza excesiva y las superficies irregulares pueden hacer que la unidad o el carro de mano se dé vuelta o se caiga.
- 7 Condensación** — En la lente del fonocaptor del reproductor de discos compactos tal vez se forme condensación cuando:
  - La unidad se pase de un lugar frío a uno caliente.
  - El sistema de calefacción se acabe de encender.
  - La unidad se utilice en una habitación muy húmeda.
  - La unidad se enfríe mediante un acondicionador de aire.

Esta unidad tal vez funcione mal cuando tenga condensación en su interior. En este caso, deje en reposo la unidad durante unas pocas horas y repita de nuevo la operación.
- 8 Montaje en pared o techo** — La unidad no se deberá montar en una pared ni en el techo, a menos que se especifique lo contrario en el manual de instrucciones.

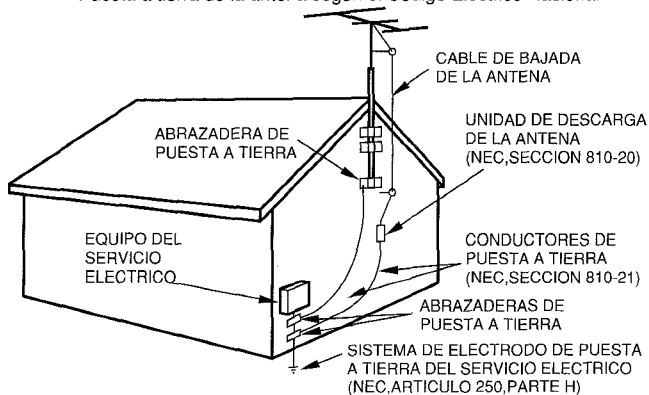
### Energía eléctrica

- 1 Fuentes de alimentación** — Conecte solamente esta unidad a las fuentes de alimentación especificadas en el manual de instrucciones, y como está marcado en la unidad.
- 2 Polarización** — Como medida de seguridad, algunas unidades disponen de enchufes de alimentación de CA polarizados que solamente podrán insertarse de una forma en el tomacorriente de la red. Si es difícil o imposible insertar el enchufe de alimentación de CA en un tomacorriente de la red, dele la vuelta e inténtelo de nuevo. Si sigue sin poder insertarse bien, llame a un técnico de servicio cualificado para que reemplace el tomacorriente. Para evitar anular la función de seguridad del enchufe polarizado, no lo inserte a la fuerza en un tomacorriente.
- 3 Cable de alimentación de CA**
  - Cuando desconecte el cable de alimentación de CA, sujete la clavija de alimentación de CA y tire de ella. No tire del propio cable.
  - Nunca maneje la clavija de alimentación de CA con las manos mojadas porque podría producirse un incendio o una sacudida eléctrica.
  - Los cables de alimentación deberán colocarse de forma que no queden muy doblados, pillados, y que nadie pueda pisarlos. Preste especial atención al cable de la unidad principal al tomacorriente de CA.
  - Evite sobrecargar las tomas de CA y los cables de extensión más allá de su capacidad porque esto podría causar un incendio o una sacudida eléctrica.
- 4 Cable prolongador** — Para evitar descargas eléctricas, no utilice el enchufe de alimentación de CA polarizado con un cable prolongador ni tomacorriente a menos que el enchufe pueda insertarse completamente a fin de evitar que sus cuchillas queden al descubierto.
- 5 Periodos de no utilización** — Desenchufe el cable de alimentación de CA de la toma de CA si la unidad no va a ser utilizada durante varios meses o más. Cuando el cable de alimentación esté conectado, por la unidad continuará circulando una pequeña cantidad de corriente, aunque la alimentación esté desconectada.

## Antena exterior

- 1 **Líneas eléctricas** — Cuando conecte una antena exterior, cerciórese de que esté alejada de las líneas eléctricas.
- 2 **Puesta a tierra de la antena exterior** — Cerciórese de que el sistema de antena esté adecuadamente puesto a tierra como medida de protección contra sobretensiones inesperadas o la generación de electrostática. El artículo 810 del código National Electric Code, ANSI/NFPA 70 proporciona información sobre la puesta a tierra adecuada del mástil, la estructura de soporte, y la acometida a la unidad de descarga de la antena, así como sobre el tamaño de la unidad de puesta a tierra, la conexión de los terminales de puesta a tierra, y los requisitos de puesta a tierra de los propios terminales.

Puesta a tierra de la antena según el Código Eléctrico Nacional



NEC(CODIGO ELECTRICO NACIONAL)

## Mantenimiento

Limpie la unidad sólo como se recomienda en el manual de instrucciones.

## Daños que necesitan ser reparados

Haga que un técnico en reparaciones cualificado le repare las unidades si:

- El cable de alimentación de CA o su clavija está estropeado.
- Objetos extraños o líquidos han entrado en la unidad.
- La unidad ha estado expuesta a la lluvia o al agua.
- La unidad no parece funcionar normalmente.
- La unidad muestra un cambio considerable en sus prestaciones.
- La unidad se ha caído o la caja se ha estropeado.

**NO TRATE DE REPARAR LA UNIDAD USTED MISMO**

# INDICE

## PREPARATIVOS

CONEXIONES .....	4
CONTROL REMOTO .....	6
ANTES DE LA OPERACION .....	6

## SONIDO

AJUSTES DE AUDIO .....	9
ECUALIZADOR GRAFICO .....	9

## RECEPCION DE LA RADIO

SINTONIZACION MANUAL .....	10
PREAJUSTE DE EMISORAS .....	11

## REPRODUCCION DE CINTAS

OPERACIONES BASICAS .....	11
---------------------------	----

## REPRODUCCION DE DISCOS COMPACTOS

OPERACIONES BASICAS .....	12
REPRODUCCION PROGRAMADA .....	14

## GRABACION

GRABACION BASICA .....	15
GRABACION CON EDICION AI .....	16
GRABACION CON EDICION PROGRAMADA .....	17

## RELOJ Y TEMPORIZADOR

PUESTA EN HORA DEL RELOJ .....	18
AJUSTE DEL TEMPORIZADOR PARA DORMIR .....	18
AJUSTE DEL TEMPORIZADOR .....	19

## OTRAS CONEXIONES

CONEXION DE UN EQUIPO OPCIONAL .....	20
ESCUCHA DE FUENTES DE SONIDO EXTERNAS .....	21

## GENERALIDADES

CUIDADOS Y MANTENIMIENTO .....	21
GUIA PARA LA SOLUCION DE PROBLEMAS .....	22
ESPECIFICACIONES .....	22

INDICE DE LAS PARTES .....	Contraportada
----------------------------	---------------

E



**CONEXIONES**

**Compruebe su sistema y los accesorios**

**Z-L30**

Sintonizador, amplificador, platina de cassette y reproductor de discos compactos estéreo CX-ZL30

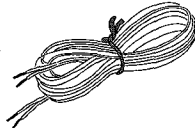
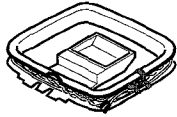
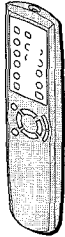
Altavoces delanteros SX-WZL60

Altavoces de sonido ambiental SX-R276

Control remoto

Antena de AM

Antena de FM



Manual de instrucciones, etc.

**Antes de conectar el cable de CA**

El voltaje nominal de la unidad, mostrado en el panel trasero, es 120 V CA. Compruebe si la tensión nominal mostrada en el panel trasero concuerda con la tensión de su localidad.

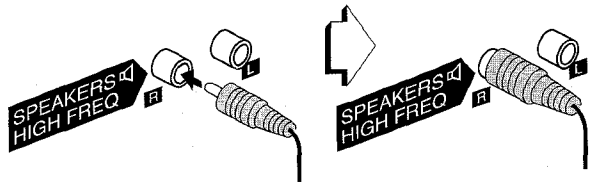
**IMPORTANTE**

Conecte primero los altavoces, las antenas y todos los demás equipos opcionales. Finalmente conecte el cable de alimentación de CA.

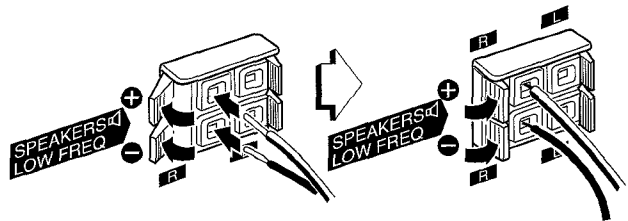
No hay diferencias entre los altavoces delanteros ni entre los altavoces de sonido ambiental. Los dos pueden conectarse como L (izquierdo) o R (derecho).

**1 Conecte el altavoz derecho a la unidad principal.**

① Conecte el cable de altavoz con clavija al terminal **SPEAKERS HIGH FREQ R**.

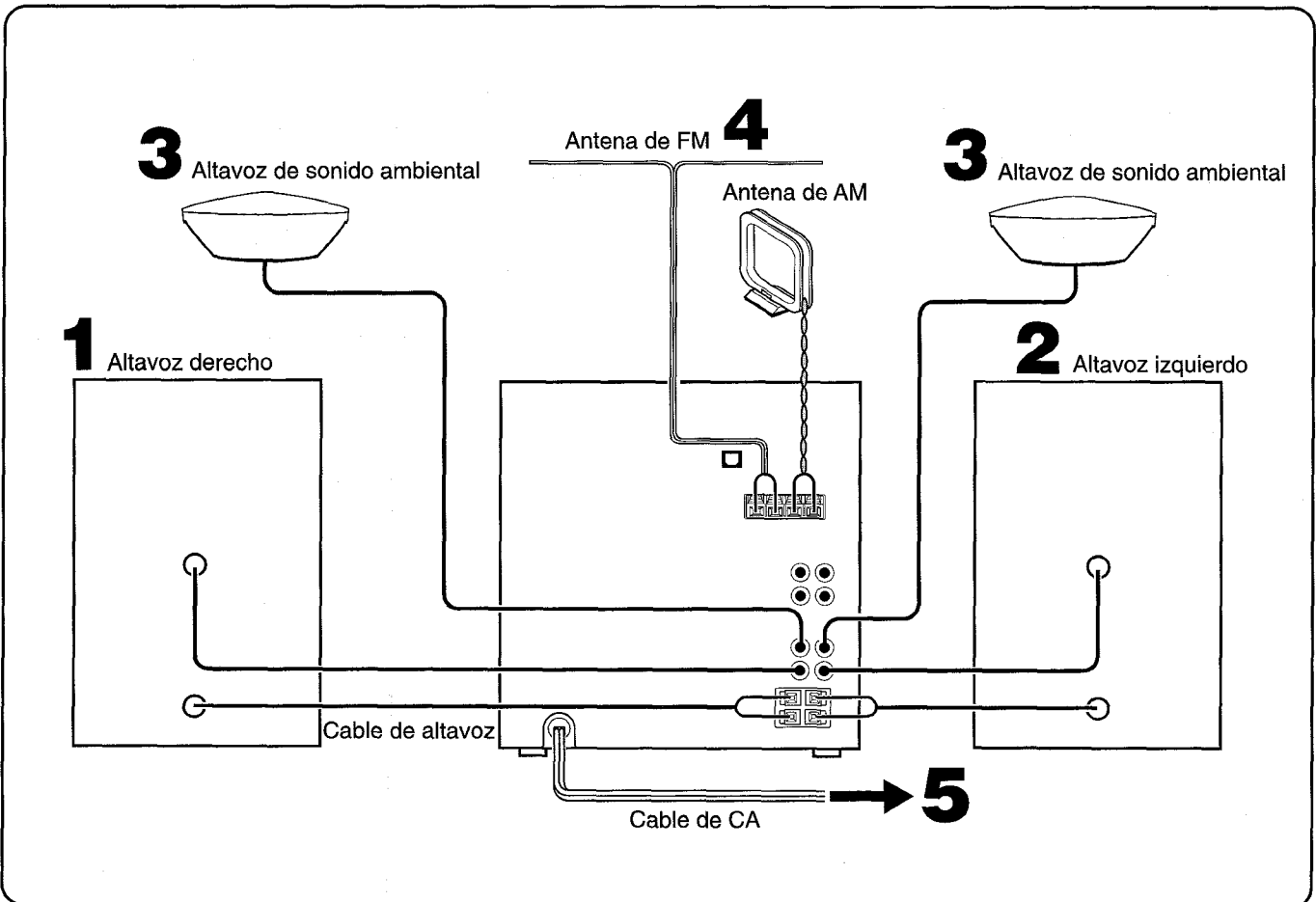


② Conecte el cable de altavoz con franja blanca al terminal **SPEAKERS LOW FREQ R +** y el cable negro al terminal **-**.



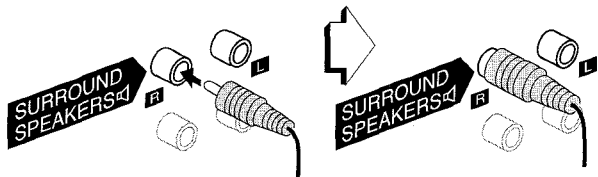
**2 Conecte el altavoz izquierdo a la unidad principal.**

Conecte el cable de altavoz con la clavija al terminal **SPEAKERS HIGH FREQ L**, y el otro cable de altavoz a los terminales **SPEAKERS LOW FREQ L**, de la misma forma que en el paso 1.



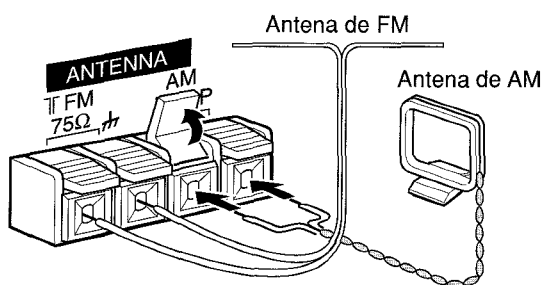
### 3 Conecte los altavoces de sonido ambiental a la unidad principal.

Conecte el cable del altavoz de sonido ambiental derecho al terminal **SURROUND SPEAKERS R**, y el cable del altavoz de sonido ambiental izquierdo al terminal **SURROUND SPEAKERS L**.



### 4 Conecte las antenas suministradas.

Conecte la antena de FM a los terminales **FM 75 Ω**, y la antena de AM a los terminales **AM LOOP**.



### 5 Conecte el cable de alimentación de CA a una toma de CA.

• La demostración del juego empezará cuando el cable de CA se enchufe en una toma de CA. Consulte la página 8 "DEMOSTRACIÓN DEL JUEGO" para obtener más detalles.

#### Para posicionar las antenas

##### Antena de FM:

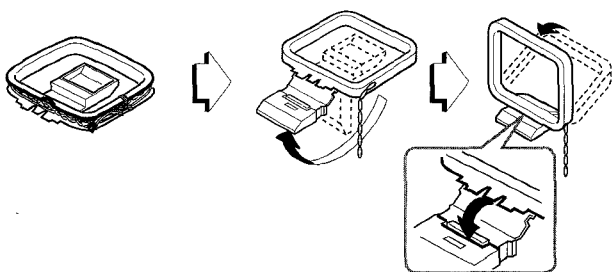
Extienda horizontalmente esta antena formando una T y fije sus extremos en la pared.

##### Antena de AM:

Póngala para obtener la mejor recepción.

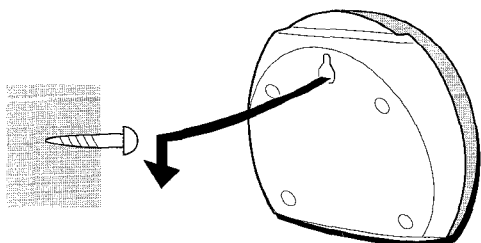
#### Para poner la antena de AM en posición vertical sobre una superficie

Fije el gancho en la ranura.



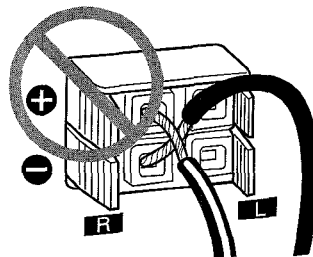
#### Para montar los altavoces de sonido ambiental en la pared

Monte cada altavoz en un lugar que pueda soportar su peso.



#### NOTA

• Asegúrese de conectar correctamente los cables de los altavoces. Las conexiones mal hechas podrían causar cortocircuitos en los terminales **SPEAKERS**.

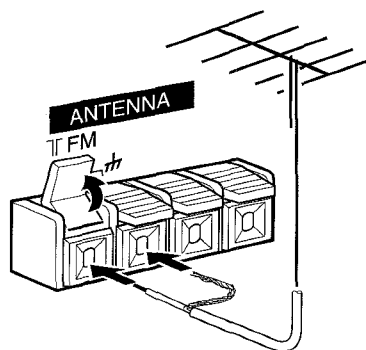


- No deje objetos que generen magnetismo, tales como tarjetas de crédito, cerca de los altavoces porque podrían estropearse.
- No ponga la antena de FM cerca de objetos metálicos o rieles de cortinas.
- No ponga la antena de AM cerca de equipos opcionales, el propio sistema estéreo, el cable de alimentación de CA o los cables de los altavoces, porque se captarán ruidos.
- No desbobine el cable de la antena de AM.

### CONEXION DE UNA ANTENA EXTERIOR

Para obtener la mejor recepción de FM se recomienda utilizar una antena exterior.

Conecte la antena exterior a los terminales **FM 75 Ω**.



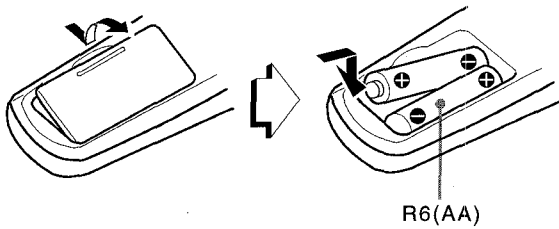
Para conectar otro equipo opcional → página 20.



## CONTROL REMOTO

### Inserción de las pilas

Quite la tapa de las pilas, ubicada en la parte posterior del control remoto, e inserte dos pilas R6 (tamaño AA).



### Cuándo reemplazar las pilas

La distancia máxima de operación entre el control remoto y el sensor de señales de la unidad principal deberá ser de 5 metros aproximadamente. Cuando disminuya esta distancia, reemplace las pilas por otras nuevas.

### Para utilizar SHIFT del control remoto

Los botones ① tienen dos funciones diferentes. Una de estas funciones se indica en el botón, y la otra en la placa situada encima del botón.

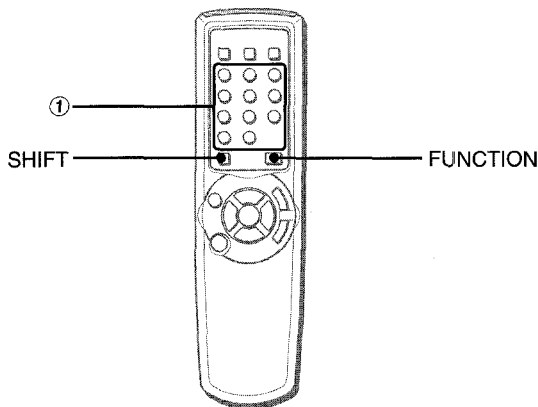
Para utilizar la función del botón, pulse simplemente el botón.

Para utilizar la función de la placa situada encima del botón, pulse el botón mientras pulsa **SHIFT**.

### Para utilizar FUNCTION del control remoto

**FUNCTION** sustituye a los botones de función (**TAPE, TUNER/BAND, PHONO, VIDEO/AUX, CD**) de la unidad principal.

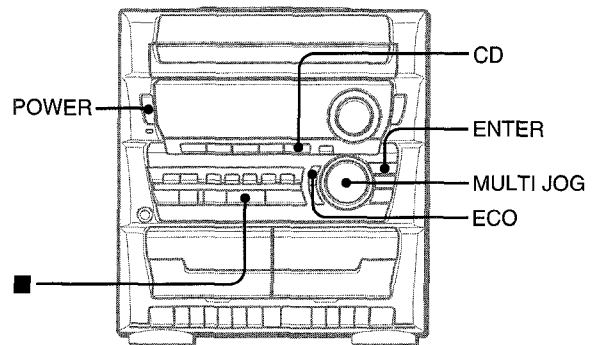
Cada vez que se pulse **FUNCTION**, la siguiente función se seleccionará cíclicamente.



### NOTA

- Si el control remoto no va a ser utilizado durante mucho tiempo, quite las pilas para evitar las posibles fugas de electrolito.
- El control remoto quizá no funcione correctamente cuando:
  - La línea de visión entre el control remoto y el sensor de señales del interior del visualizador esté expuesta a una luz intensa como, por ejemplo, la luz del sol
  - Otros controles remotos (los de un televisor, etc.) estén siendo utilizados cerca de esta unidad

## ANTES DE LA OPERACION



### Para encender la unidad

Pulse uno de los botones de función (**TAPE, TUNER/BAND, PHONO, VIDEO/AUX, CD**). La reproducción del disco insertado empezará o se recibirá la emisora previamente sintonizada (función de reproducción directa).

También podrá utilizarse **POWER**.

### Para desconectar la alimentación

Pulse **POWER**.

### Guías de iluminación

Siempre que se pulse **POWER** o uno de los botones de función, los botones para la operación seleccionada se encenderán o parpadearán.

### Ventanilla parpadeante

La ventanilla de la parte superior de la unidad se encenderá o parpadeará mientras la alimentación esté conectada.

Para apagar la luz de la ventanilla superior, pulse ■ mientras pulsa **CD**. Para volver a encenderla, repita el procedimiento seguido para apagarla.

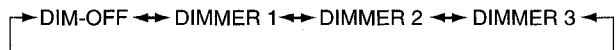
### NOTA

Cuando pulse **CD** para activar/desactivar la ventanilla parpadeante, la REPRODUCCION CON SALTO DE SECCIONES EN BLANCO también se activará/desactivará.

### Para cambiar el nivel de brillo del visualizador

- 1 Pulse **ECO** para que se visualice "ECO MODE".
- 2 Antes de que pasen 4 segundos, gire **MULTI JOG** para visualizar "DIM MODE", y luego pulse **ENTER** antes de que pasen otros 4 segundos.
- 3 Antes de que pasen 4 segundos, gire **MULTI JOG** para seleccionar el modo del regulador de intensidad de iluminación como se indica abajo.

El modo se establecerá automáticamente después de 4 segundos. También se establecerá si se pulsa **ENTER** antes de que pasen 4 segundos después de realizar el paso 3.



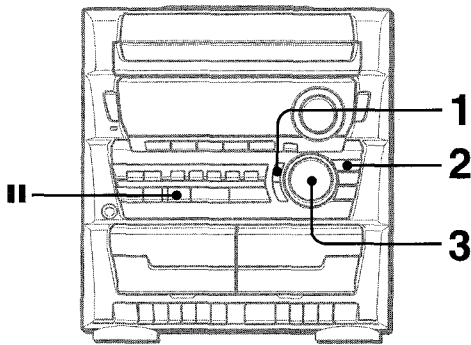
**DIM-OFF:** La visualización normal.

**DIMMER 1:** La iluminación del visualizador es menos intensa que la normal.

**DIMMER 2:** La iluminación del visualizador es menos intensa que la de DIMMER 1.

**DIMMER 3:** La iluminación del visualizador es menos intensa que la de DIMMER 2. El analizador de espectro, la ventanilla de la parte superior de la unidad y las lámparas de los botones se apagarán.

## PUESTA DEL MODO DE AHORRO DE ENERGÍA



Al poner esta unidad en el modo de ahorro de energía se reduce el consumo de energía de la forma siguiente.

- Cuando se desconecta la alimentación, todas las luces del visualizador se apagan, y solamente se enciende el indicador **STANDBY/ON**.

Sin embargo, si el reloj no está ajustado, la demostración del juego (página 8) se iniciará cuando desconecte la alimentación.

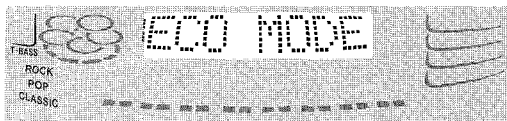
- Si no se reproduce un disco compacto ni una cinta durante 10 minutos o si no hay entrada de audio desde ningún equipo externo conectado durante 10 minutos cuando se selecciona VIDEO/AUX o PHONO como fuente, la alimentación se desconecta.

- El visualizador se ilumina sólo cuando se utiliza la unidad. Cuando la unidad no haya sido utilizada durante 10 segundos, el nivel del brillo cambiará al modo seleccionado previamente en "DIM MODE". (Página 6)

(Si el nivel del brillo del visualizador está ajustado en "DIM-OFF", el brillo no cambiará. Cuando el nivel sea "DIMMER 3", los indicadores de los botones también se apagarán.)

### 1 Pulse ECO.

"ECO MODE" se visualizará.



### 2 Pulse ENTER antes de que pasen 4 segundos.

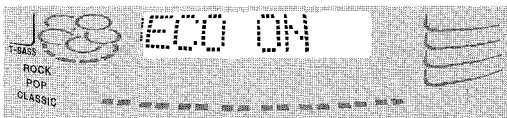
El estado actual del modo de ahorro de energía se visualizará.

Si el modo de ahorro de energía está desactivado: ECO OFF

Si el modo de ahorro de energía está activado: ECO ON

### 3 Gire MULTI JOG antes de que pasen 4 segundos para activar o desactivar el modo de ahorro de energía.

Ejemplo: Cuando se seleccione "ON"



El modo se establecerá automáticamente después de 4 segundos. También se establecerá si se pulsa **ENTER** antes de que pasen 4 segundos después del paso 3.

### Consumo eléctrico en espera

Si el modo de ahorro de energía está desactivado: 19,3 W

Si el modo de ahorro de energía está activado: 1,7 W

### NOTA

Para ver el reloj cuando todas las luces del visualizador se apaguen, pulse **II** para que se visualice la hora durante 4 segundos.

## SISTEMA MULTIAMPLIFICADOR DE 4 CANALES

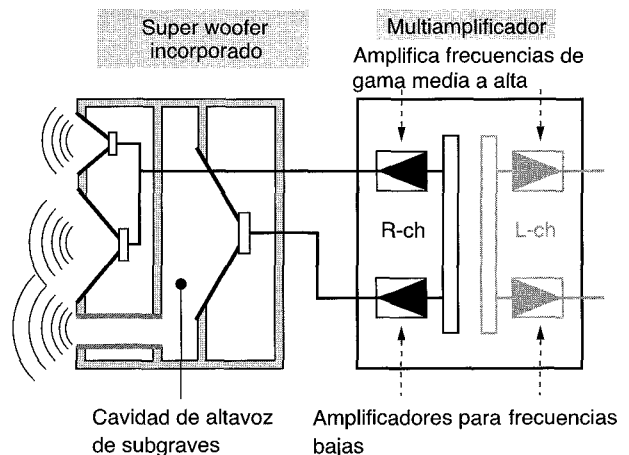
Para reforzar las frecuencias ultrabajas, además del amplificador de 2 canales, derecho e izquierdo, utilizado para reproducir las frecuencias medias a altas, este sistema incorpora un segundo amplificador de 2 canales, derecho e izquierdo, sólo para la reproducción de las frecuencias ultrabajas: lo que constituye, en efecto, un sistema de 4 amplificadores. Utilizando amplificadores discretos para las frecuencias medias a altas y para las frecuencias bajas, se puede obtener una reproducción de sonido de alta calidad que está virtualmente exento de distorsión.

Este sistema multiamplificador, que utiliza circuitos independientes para las diferentes gamas de frecuencia, permite una excelente reproducción de sonido libre de distorsión.

## SISTEMA DE SUPER WOOFER INCORPORADO

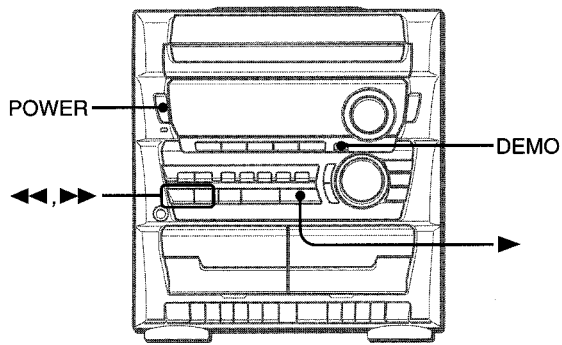
El sistema de super woofer incorporado tiene una cavidad de altavoz de subgraves separada que forma parte de la estructura de la caja del altavoz, y que actúa como filtro sónico para cortar los componentes de distorsión. (En el sistema de multiamplificador, las señales de frecuencia ultrabaja transmitidas desde su propio amplificador independiente se reproducen en esta área.) Esta construcción separada ofrece una definición rica y clara para la reproducción de graves, y puede reproducir señales de frecuencia media a alta claras y bien definidas.

Y el sistema de super woofer incorporado AIWA incluye un altavoz de subgraves capaz de reproducir graves potentes y satisfactorios con una verdadera separación estéreo.



E

## DEMOSTRACIÓN DE JUEGO



Cuando el cable de alimentación de CA se conecte a una toma de CA por primera vez después de haber adquirido el aparato, la demostración del juego empezará en el visualizador. Cuando se conecte la alimentación, la demostración del juego terminará. Cuando se desconecte la alimentación, la demostración del juego empezará de nuevo.

Hasta que se ponga la hora en el reloj, la demostración del juego empezará siempre que se desconecte la alimentación.

Cuando la hora esté puesta en el reloj, la demostración del juego no empezará aunque se desconecte la alimentación. (Consulte "PUESTA EN HORA DEL RELOJ" en la página 18.)

### Para iniciar o finalizar la demostración del juego cuando esté puesta la hora en el reloj

Pulse **DEMO** cuando la alimentación esté desconectada; la demostración del juego empezará.

Para finalizar la demostración del juego, pulse de nuevo **DEMO**.

### Para reproducir la demostración

- 1 Pulse **DEMO** de forma que se visualice la demostración del juego.
- 2 Pulse **▶**.  
En el visualizador empezarán a moverse tres números.
- 3 Pulse una vez **■**.  
El número del lado izquierdo se parará.
- 4 Pulse dos veces **■** para detener los dos números restantes.

#### Puntuación:

Al empezar el juego dispondrá de 20 puntos.

Si todos los números son iguales se añadirán 50 puntos a la puntuación.

Si no son iguales se le restará un punto.

Si los puntos llegan a 9999, usted gana.

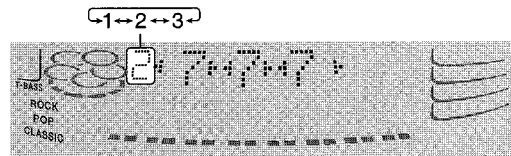
Si los puntos llegan a 0, usted pierde.

### Para reanudar la demostración del juego

Pulse dos veces **DEMO** y después pulse **▶**. El juego se reanudará.

### Para cambiar las probabilidades de igualación de los tres números

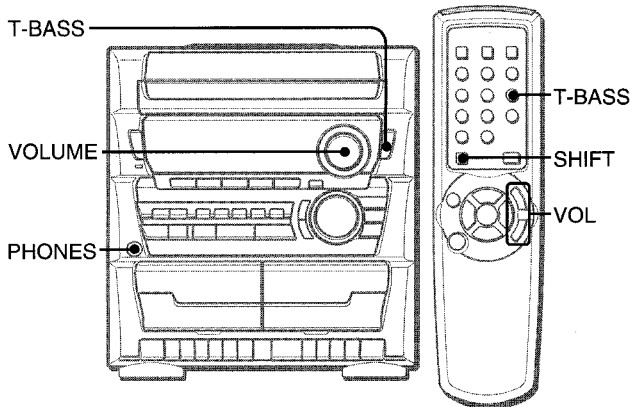
Pulse repetidamente **◀◀** o **▶▶** para seleccionar uno de los tres niveles de probabilidad cuando juegue con la demostración del juego. El indicador del número de bandeja cambia en el visualizador entre 1 y 3. Al aumentar el número de la bandeja (de 1 a 3), más alta será la probabilidad de la igualación.



### NOTA

- Durante la demostración del juego, **■**, **◀◀**, **▶▶** y **▶** solamente estarán disponibles para dicha demostración. Para utilizar estos botones, para funciones tales como reproducción de discos compactos, etc., cancele la demostración del juego.
- Durante la demostración del juego, en el visualizador aparecerán algunos indicadores no relacionados con la operación actual.

## AJUSTES DE AUDIO



### CONTROL DE VOLUMEN

Gire **VOLUME** de la unidad principal o pulse **VOL**  $\wedge$  o  $\vee$  del control remoto.

El nivel de sonido se visualizará mediante un número del 0 al 50 (MAX).

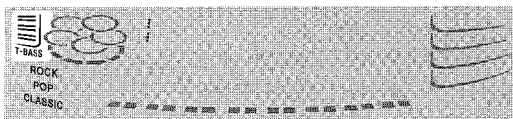
El nivel de sonido se ajustará automáticamente a 20 cuando se desconecta la alimentación estando el nivel ajustado en 21 o más.

### SISTEMA SUPER T-BASS

El sistema T-BASS realza el realismo del sonido de baja frecuencia.

#### Pulse T-BASS.

Cada vez que lo pulse, el nivel cambiará. Seleccione uno de los tres niveles o la posición de apagado, lo que usted prefiera.



Para seleccionar con el control remoto

Pulse **T-BASS** mientras pulsa **SHIFT**.

#### NOTA

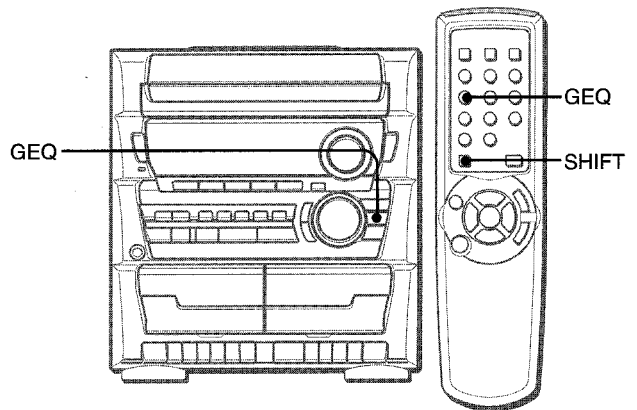
El sonido de baja frecuencia tal vez se distorsione cuando se utilice el sistema T-BASS con un disco o una cinta cuyo sonido de baja frecuencia haya sido realzado originalmente. En este caso, cancele el sistema T-BASS.

#### Utilización de auriculares

Conecte auriculares con clavija estéreo estándar (6,3 mm  $\varnothing$ ) a la toma **PHONES**.

Mientras los auriculares estén conectados no saldrá sonido de los altavoces.

## ECUALIZADOR GRAFICO



Esta unidad ofrece las tres curvas de ecualización diferentes siguientes:

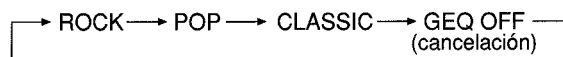
**ROCK:** Sonido potente que realza los agudos y los graves

**POP:** Más presencia en las voces y en la gama de registro medio

**CLASSIC:** Sonido enriquecido con graves profundos y agudos finos

**Pulse repetidamente GEQ para seleccionar el modo de ecualización.**

El modo GEQ se visualizará cíclicamente de la forma siguiente.



El modo de ecualización seleccionado se visualizará.



**Para cancelar el modo seleccionado**

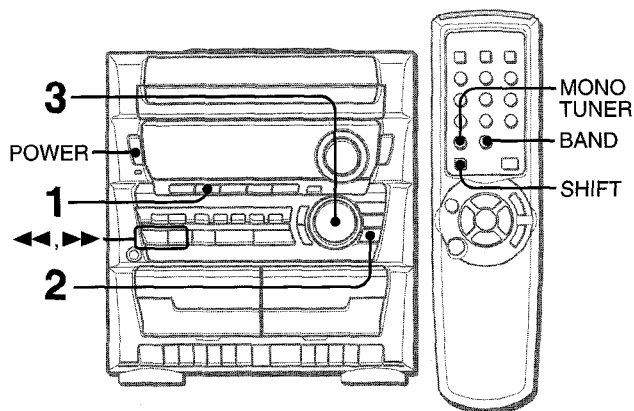
Pulse repetidamente **GEQ** hasta que se visualice "GEQ OFF".

**Para seleccionar con el control remoto**

Pulse repetidamente **GEQ** mientras pulsa **SHIFT**.

\* **MULTI JOG** también estará disponible para cambiar el modo de ecualización.

# SINTONIZACION MANUAL



### 1 Pulse TUNER/BAND para seleccionar la banda de FM o de AM.

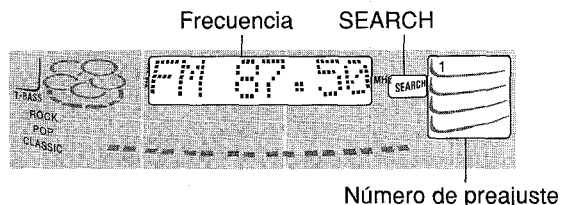
Cuando pulse **TUNER/BAND** con la alimentación desconectada, la alimentación se conectará directamente (función de reproducción directa).

Para seleccionar una banda con el control remoto  
Pulse **BAND** mientras pulsa **SHIFT**.

### 2 Pulse repetidamente TUNER PRESET para seleccionar el modo de sintonización manual.

Cada vez que pulse el botón, se seleccionarán cíclicamente los tres modos de sintonización siguientes.

- ① **Modo de sintonización de emisoras preajustadas:** El número de preajuste parpadeará.
- ② **Modo de búsqueda automática:** "SEARCH" se visualizará.
- ③ **Modo de sintonización manual:** No se visualizará "SEARCH" ni parpadeará ningún número de preajuste.



**NOTA**

Si no hay emisoras preajustadas, la sintonización de emisoras preajustadas se saltará.

### 3 Para sintonizar una emisora, gire MULTI JOG hacia la derecha o hacia la izquierda.

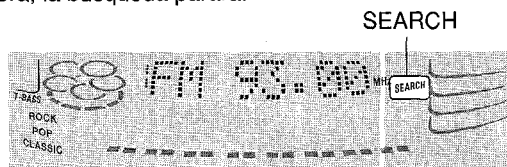
A medida que gire **MULTI JOG**, la frecuencia cambiará. Cuando se reciba una emisora, "TUNE" se visualizará durante 2 segundos. Durante la recepción estéreo por FM se visualizará ((Ⓜ)).



- Usted también podrá utilizar **◀◀DOWN** y **▶▶UP** para sintonizar una emisora.

### Para buscar rápidamente una emisora (búsqueda automática)

Pulse repetidamente **TUNER PRESET** hasta que se visualice "SEARCH" (modo de búsqueda automática), y gire **MULTI JOG** hacia la derecha o hacia la izquierda hasta que la frecuencia comience a cambiar rápidamente. Después de sintonizar una emisora, la búsqueda parará.

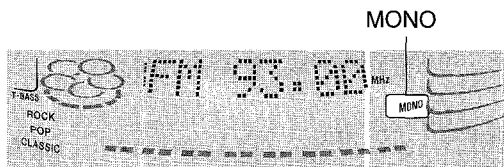


Para detener manualmente la búsqueda automática, gire un poco **MULTI JOG** en cualquier sentido.

- La búsqueda automática quizá no pare en emisoras cuyas señales sean muy débiles.
- Usted también podrá utilizar **◀◀DOWN** y **▶▶UP** para buscar una emisora. Mantenga pulsado **◀◀DOWN** o **▶▶UP** hasta que el sintonizador inicie la búsqueda. Para parar manualmente la búsqueda, pulse el botón.

### Cuando una radiodifusión estéreo por FM tenga ruido

Pulse **MONO TUNER** del control remoto mientras pulsa **SHIFT** para que "MONO" aparezca en el visualizador. El ruido se reducirá, pero la recepción será mono.



Para reponer la recepción estéreo, pulse **MONO TUNER** mientras pulsa **SHIFT** para que desaparezca "MONO".

### Para cambiar el intervalo de sintonización de AM

El ajuste por omisión del intervalo de sintonización de AM es de 10 kHz/paso. Si utiliza esta unidad en una zona donde el sistema de asignación de frecuencias sea de 9 kHz/paso, cambie el intervalo de sintonización.

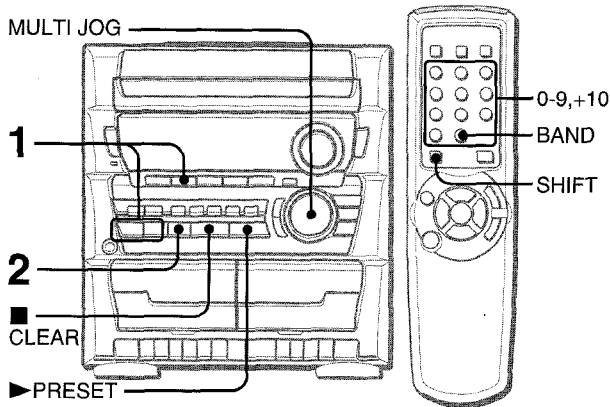
Pulse **POWER** mientras pulsa **▶** en la unidad principal. Para reponer el intervalo, repita este procedimiento.

**NOTA**

Cuando se cambie el intervalo de sintonización de AM, todas las emisoras preajustadas se borrarán. Las emisoras preajustadas tendrán que ajustarse de nuevo.



## PREAJUSTE DE EMISORAS

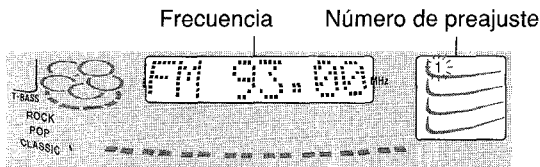


Esta unidad puede almacenar un total de 32 emisoras. Cuando almacene una emisora, a esa emisora se le asignará un número de preajuste. Utilice el número de preajuste para sintonizar directamente una emisora preajustada.

**1 Pulse TUNER/BAND para seleccionar una banda, y pulse ◀◀DOWN o ▶▶UP para seleccionar una emisora.**

**2 Pulse ■/▲ para almacenar la emisora.**

A las emisoras de cada banda se les asigna un número de preajuste en orden consecutivo empezando por el 1.



**3 Repita los pasos 1 y 2.**

Si ya ha almacenado 32 emisoras en total, no podrá almacenar más.

### NOTA

“FULL” se visualiza si intenta almacenar más de 32 emisoras preajustadas.

## SINTONIZACION MEDIANTE NUMERO DE PREAJUSTE

Utilice el control remoto para seleccionar directamente el número de preajuste.

**1 Pulse BAND mientras pulsa SHIFT para seleccionar una banda.**

**2 Pulse los botones numerados 0-9 y +10 para seleccionar un número de preajuste.**

Ejemplo:

Para seleccionar el número de preajuste 20, pulse +10, +10 y 0.

Para seleccionar el número de preajuste 15, pulse +10 y 5.

**Selección de un número de preajuste en la unidad principal**  
Pulse **TUNER/BAND** para seleccionar una banda.

Pulse repetidamente **TUNER PRESET** hasta que parpadee el número de preajuste (modo de sintonización de emisoras preajustadas), y gire **MULTI JOG**. A medida que gire **MULTI JOG**, los números de preajuste se seleccionarán en secuencia.

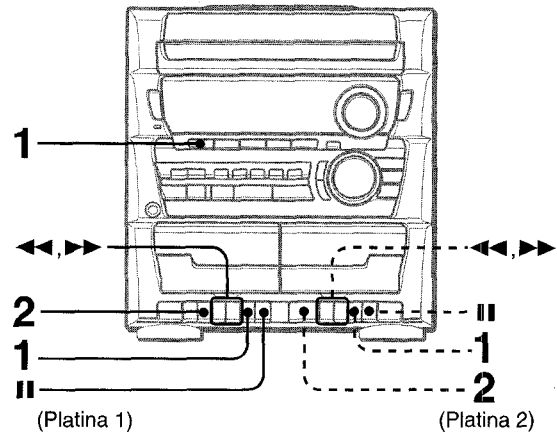
• Usted también podrá utilizar **▶PRESET** para seleccionar el número de preajuste. Cada vez que pulse el botón, se seleccionará el número más alto siguiente.

**Para borrar una emisora preajustada**

Seleccione el número de preajuste de la emisora que desee borrar con los botones numéricos. Luego, pulse **■CLEAR** y **■/▲** antes de que pasen 4 segundos.

Los números de preajuste superiores de todas las demás emisoras de la banda disminuirán en uno.

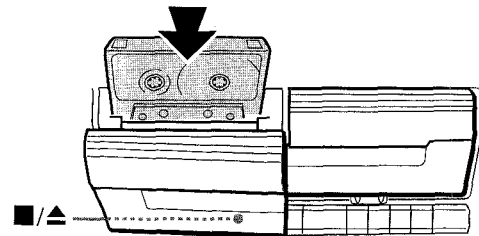
## OPERACIONES BASICAS



### Cintas utilizables

Utilice solamente cintas de tipo I (normales).

**1 Pulse TAPE, luego pulse ■/▲ para abrir el portacasete.**



Inserte una cinta con el lado expuesto hacia abajo. Empuje el portacasete para cerrarlo.

**2 Pulse ▶ para iniciar la reproducción.**

Sólo la cara que queda hacia afuera de la unidad puede ser reproducida.

**Para detener la reproducción, pulse ■/▲.**

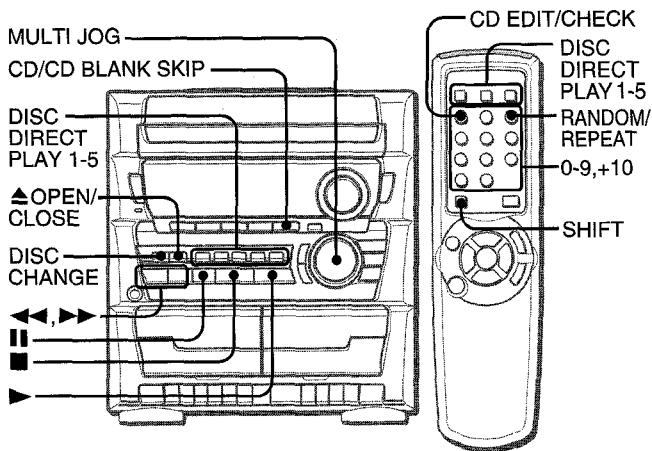
**Para hacer una pausa en la reproducción, pulse ■/■.** Para reanudar la reproducción, púlselo otra vez.

**Para avanzar rápidamente o rebobinar, pulse ◀◀ o ▶▶ en el modo de parada.** Luego pulse ■/▲ para detener la cinta.

**Cuando las platinas 1 y 2 están ajustadas en el modo de reproducción**

Se reproduce la cinta de cassette de la platina 2.

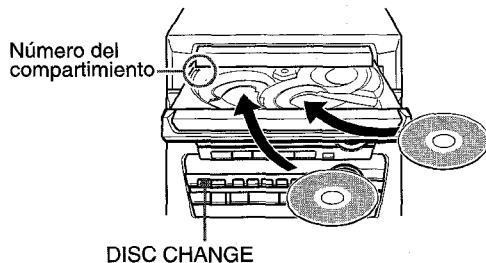
OPERACIONES BASICAS



INTRODUCCION DE DISCOS

Pulse CD, y luego pulse ▲ OPEN/CLOSE para abrir la bandeja de los discos. Introduzca el (los) disco(s) con el lado de la etiqueta hacia arriba.

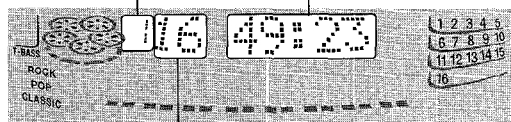
Para cargar uno o dos discos, coloque el (los) disco(s) en el (los) compartimiento(s) en el sentido de las flechas, como se muestra en la ilustración.



Para cargar de tres a cinco discos, pulse DISC CHANGE para que gire la bandeja después de haber colocado dos discos. Coloque el disco siguiente en un compartimiento vacío. Cada vez que pulse DISC CHANGE, la bandeja girará y podrá colocar un disco.

Después de haber colocado los discos, pulse ▲ OPEN/CLOSE para cerrar la bandeja de los discos. El visualizador mostrará la información sobre el disco a reproducirse.

Número del compartimiento del disco que va a ser reproducido      Tiempo de reproducción total



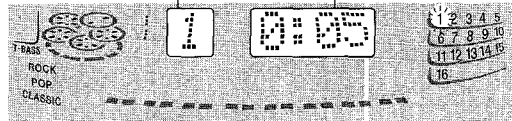
REPRODUCCION DE DISCOS

Introduzca los discos.

Para reproducir todos los discos de la bandeja, pulse ▶.

La reproducción empezará por el disco del compartimiento 1.

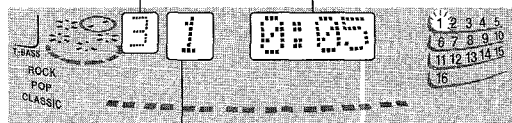
Número de la canción que está siendo reproducida      Tiempo de reproducción transcurrido



Para reproducir un disco solamente, pulse uno de los botones DISC DIRECT PLAY 1-5.

El disco seleccionado se reproducirá una vez.

Número de compartimento de disco seleccionado      Tiempo de reproducción de disco seleccionado



Para detener la reproducción, pulse ■.

Para hacer una pausa en la reproducción, pulse ⏸. Para reanudar la reproducción, púselo de nuevo.

Para buscar un punto particular durante la reproducción, mantenga pulsado ◀◀ o ▶▶ y suéltelo en el punto deseado.

Para saltar hasta el principio de una canción durante la reproducción, gire MULTI JOG o pulse repetidamente ◀◀ o ▶▶.

Para quitar discos, pulse ▲ OPEN/CLOSE. Solamente podrá extraer los dos discos que estén encarados hacia usted.

Cuando el disco (o los discos) que desee extraer no esté(n) encarado(s) hacia usted, pulse repetidamente DISC CHANGE.

Para iniciar la reproducción cuando la alimentación esté desconectada (función de reproducción directa)

Pulse CD. La alimentación se conectará y la reproducción (de los) disco(s) introducido(s) empezará.

La alimentación se conectará también, y la bandeja de los discos se abrirá, cuando se pulse ▲ OPEN/CLOSE.

Para comprobar el tiempo restante

Durante la reproducción, pulse CD EDIT/CHECK del control remoto mientras pulsa SHIFT. El tiempo restante hasta que todas las canciones terminen de reproducirse se visualizará. Para reponer la visualización del tiempo de reproducción, repita este procedimiento.

Selección de una canción con el control remoto

1 Pulse uno de los botones DISC DIRECT PLAY 1-5 para seleccionar un disco.

Para seleccionar el disco 4 o 5, pulse DISC DIRECT PLAY 4 o 5 mientras pulsa SHIFT.

2 Pulse los botones numerados 0-9 y +10 para seleccionar una canción.

Ejemplo:

Para seleccionar la canción número 25, pulse +10, +10 y 5.

Para seleccionar la canción número 10, pulse +10 y 0.

La canción seleccionada empezará a reproducirse y la reproducción continuará hasta que termine ese disco.

Reemplazo de discos durante la reproducción

Mientras se reproduzca un disco, los otros discos podrán reemplazarse sin interrumpir la reproducción.

1 Pulse DISC CHANGE.

Pueden reemplazarse dos discos.

2 Quite los discos y ponga otros.

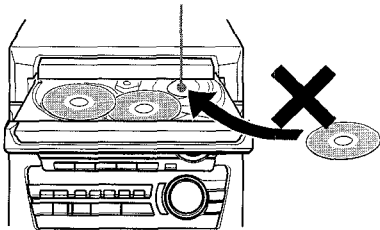
Para reemplazar otros dos discos, pulse de nuevo DISC CHANGE.

3 Pulse ▲ OPEN/CLOSE para cerrar la bandeja de los discos.

**NOTA**

- Cuando introduzca un disco de 8 cm, cerciórese de colocarlo con precisión en el círculo interior de la bandeja. De lo contrario, el disco podría dañarse o la bandeja de los discos no se abriría. Si no se abre, solicite la reparación a su proveedor Aiwa.
- No ponga más de un disco compacto en un mismo compartimiento.
- No incline la unidad habiendo discos introducidos. Hacer esto podría causar averías.
- Antes de trasladar la unidad, quite los discos de los compartimientos.
- Cuando reemplace los discos durante la reproducción, no reemplace los que no estén encarados hacia usted. Si coloca un disco en el compartimiento interior derecho vacío, y después pulsa **▲OPEN/CLOSE**, se visualizará "ERROR", y la bandeja de discos no se cerrará. Extraiga el disco de tal compartimiento.
- No utilice discos compactos con formas irregulares (por ejemplo, con forma de corazón, octagonales, etc.). Éstos podrían ocasionar un fallo en el funcionamiento.

No coloque nunca disco aquí.



**REPRODUCCION ALEATORIA/REPETICION DE REPRODUCCION**

Utilice el control remoto.

**Reproducción aleatoria**

Todas las canciones del disco seleccionado o de todos los discos podrán reproducirse aleatoriamente.

**Repetición de reproducción**

Un solo disco o todos ellos podrán reproducirse repetidamente.

**Pulse RANDOM/REPEAT mientras pulsa SHIFT.**

Cada vez que lo pulse, la función podrá ser seleccionada cíclicamente.

**Reproducción aleatoria** — RANDOM se enciende en el visualizador.

**Repetición de reproducción** — **↶** se enciende en el visualizador.

**Reproducción aleatoria/repetición de reproducción** — RANDOM y **↶** se encienden en el visualizador.

**Cancelación** — RANDOM y **↶** desaparecen del visualizador.

**Para reproducir todos los discos**, pulse **▶** para iniciar la reproducción.

**Para reproducir un solo disco**, pulse uno de los botones **DISC DIRECT PLAY 1-5** para iniciar la reproducción.

Para seleccionar el disco 4 o 5 desde el control remoto, pulse **DISC DIRECT PLAY 4 o 5** mientras pulsa **SHIFT**.

**NOTA**

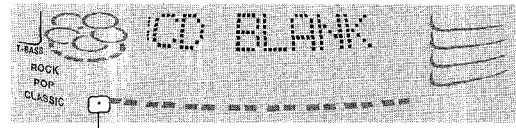
Durante la reproducción aleatoria no será posible saltar a la canción previamente reproducida con **◀◀**.

**REPRODUCCION CON SALTO DE SECCIONES EN BLANCO**

Las secciones en blanco entre las canciones grabadas de un disco compacto pueden saltarse durante la reproducción.

**1 Pulse CD/CD BLANK SKIP del control remoto.**

"CD BLANK SKIP ON" se visualiza y aparecerá un punto pequeño en el visualizador.



Punto pequeño

**2 Pulse ▶ para iniciar la reproducción.**

Las secciones en blanco entre canciones se saltarán, y el sonido se reproducirá sin interrupción. Si una canción termina con desvanecimiento (el sonido va disminuyendo gradualmente), la parte con desvanecimiento también se saltará.

**Para volver a la reproducción normal**

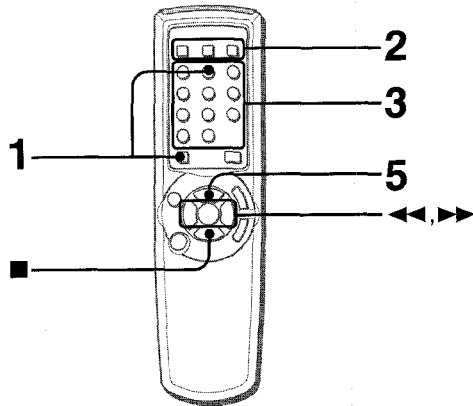
Pulse de nuevo **CD/CD BLANK SKIP**. "CD BLANK SKIP OFF" se visualizará y el punto del visualizador desaparecerá.

**NOTA**

- Puede haber casos en los que la REPRODUCCION CON SALTO DE SECCIONES EN BLANCO no funcionará correctamente.
- La REPRODUCCION CON SALTO DE SECCIONES EN BLANCO se cancela automáticamente cuando se realiza la GRABACION CON EDICION AI (página 16), la GRABACION CON EDICION PROGRAMADA (página 17), la grabación durante la REPRODUCCION PROGRAMADA (página 14) o la REPRODUCCION ALEATORIA (página 13).
- Cuando pulse **CD/CD BLANK SKIP** para activar/desactivar la ventanilla parpadeante, la REPRODUCCION CON SALTO DE SECCIONES EN BLANCO también se activará/desactivará.

# REPRODUCCION PROGRAMADA

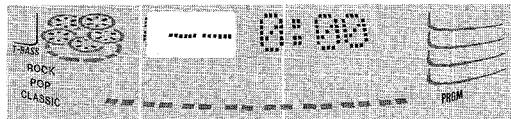
Se podrá programar un máximo de 30 canciones de cualquiera de los discos introducidos.



Utilice el control remoto.

## 1 Pulse PRGM mientras pulsa SHIFT estando en el modo de parada.

"—" se visualizará.



## 2 Pulse uno de los botones DISC DIRECT PLAY 1-5 para seleccionar un disco.

Para seleccionar el disco 4 o 5, pulse DISC DIRECT PLAY 4 o 5 mientras pulsa SHIFT.

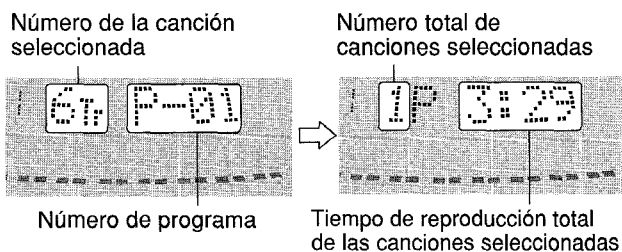
Vaya al paso siguiente cuando la bandeja deje de girar.

## 3 Pulse los botones numerados 0-9 y +10 para programar una canción.

Ejemplo:

Para seleccionar la canción número 25, pulse +10, +10 y 5.

Para seleccionar la canción número 10, pulse +10 y 0.



## 4 Repita los pasos 2 y 3 para programar otras canciones.

## 5 Pulse ▶ para iniciar la reproducción.

### Para comprobar el programa

Cada vez que se pulse ◀◀ o ▶▶ en el modo de parada se visualizará un número de disco, un número de canción y un número de programa.

### Para borrar el programa

Pulse ■ CLEAR en el modo de parada.

### Para añadir canciones al programa

Repita los pasos 2 y 3 en el modo de parada. La canción se programará después de la última canción programada.

### Para cambiar las canciones programadas

Borre el programa y repita todos los pasos de programación.

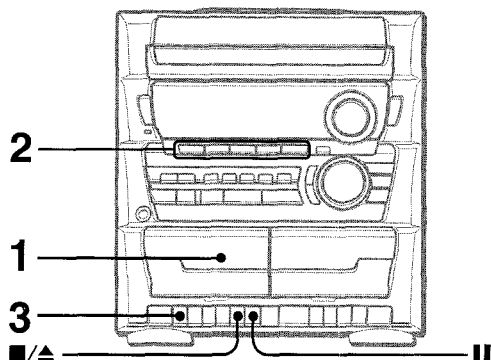
### Para reproducir repetidamente las canciones programadas

Después de programar las canciones, pulse repetidamente RANDOM/REPEAT mientras pulsa SHIFT hasta que ↶ aparezca en el visualizador.

### NOTA

- Durante la reproducción programada, usted no podrá utilizar la reproducción aleatoria, comprobar el tiempo restante, ni seleccionar un disco o canción.
- "FULL" se visualizará si usted intenta programar más de 30 canciones.

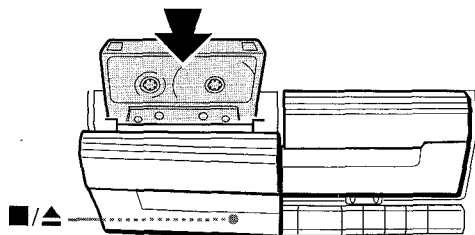
## GRABACION BASICA

**Preparación**

- Utilice solamente cintas tipo I (normales).
- Bobine la cinta hasta el punto donde vaya a empezar la grabación.
- Tenga en cuenta que la grabación sólo se realiza en una cara de la cinta.

**1 Inserte la cinta que vaya a grabar en la platina 1.**

Inserte la cinta con la cara que vaya a grabar en primer lugar hacia afuera de la unidad.

**2 Pulse uno de los botones de función y prepare la fuente de sonido de la que vaya a grabar.**

**Para grabar de un disco compacto**, pulse **CD** e introduzca el (los) disco(s).

**Para grabar de una cinta de cassette**, pulse **TAPE**. A continuación, inserte la cinta original en la platina 2 e inicie la reproducción.

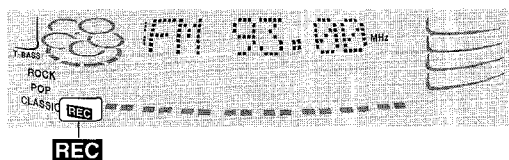
**Para grabar una radiodifusión**, pulse **TUNER/BAND** y sintonice la emisora.

**Para grabar de una fuente de sonido conectada**, pulse **PHONO** o **VIDEO/AUX** y active la reproducción.

**3 Pulse ● de la platina 1 para iniciar la grabación.**

► se enganchará simultáneamente.

Cuando la función seleccionada sea CD, la reproducción y la grabación empezarán simultáneamente.



**Para detener la grabación**, pulse ■/▲ de la platina 1.

**Para hacer una pausa en la grabación**, pulse II de la platina 1.

**Para reanudar la grabación**, púlselo de nuevo.

**Para grabar temas seleccionados de un CD**

Antes de pulsar ●, programe los temas (consulte la página 14).

**Para grabar parte de un disco compacto**

Al pulsar ●, la grabación siempre comenzará en el primer tema. Para empezar en la mitad de un tema, primero reproduzca el disco compacto y después pulse **IISET** en el punto en el que quiera empezar a grabar. Pulse ●. Se liberará automáticamente el modo de pausa del botón CD y empezará la grabación.

**Ajuste del sonido durante la grabación**

El volumen de salida y el tono de los altavoces o de los auriculares podrá cambiarse libremente sin afectar en absoluto a la grabación.

**NOTA**

- No pulse los botones de la platina 2 durante la grabación.
- No es posible pulsar ● si ha roto la lengüeta de protección contra grabaciones de la cara de la cinta en la que vaya a grabar.

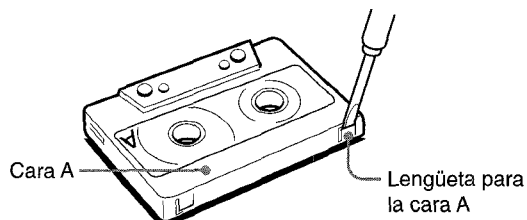
**Para borrar una grabación**

Una grabación realizada previamente se borrará cuando se realice otra en la misma parte de la cinta de cassette.

- 1 Inserte la cinta de cassette que quiera borrar en la platina 1.
- 2 Pulse **TAPE** y detenga todos los funcionamientos de la cinta de la platina 2.
- 3 Rebobine la cinta hasta el punto donde quiera comenzar a borrarla.
- 4 Pulse ● de la platina 1 para comenzar el borrado.

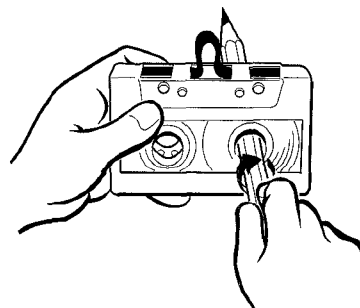
**Acerca de las cintas de cassette**

- **Para evitar el borrado accidental**, rompa con un destornillador u otra herramienta puntiaguda las lengüetas de plástico del cassette después de grabar.

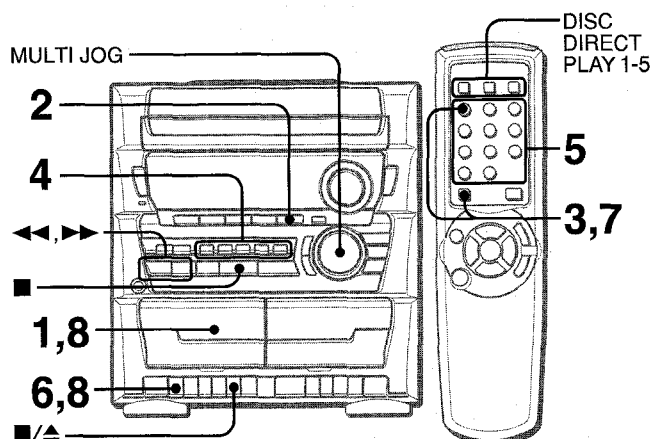


Para volver a grabar en una cinta, tape las aberturas con cinta adhesiva, etc.

- **Las cintas de 120 minutos o más** son extremadamente finas y se deforman o estropean fácilmente. No son recomendadas.
- **Tense la cinta** con un lapicero o herramienta similar antes de utilizarla. La cinta floja podrá romperse o atascarse en el mecanismo.



# GRABACION CON EDICION AI



La función de grabación con edición AI permite grabar discos compactos sin preocuparse de la duración de la cinta y de las canciones. Cuando se inserte un disco compacto, la unidad calculará automáticamente la duración total de las canciones. En caso de ser necesario, el orden de las canciones se cambiará para que ninguna canción quede cortada. (AI: Inteligencia Artificial)

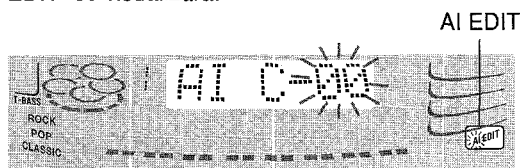
## 1 Inserte la cinta en la platina 1.

Inserte la cinta con la cara que vaya a grabar en primer lugar hacia afuera de la unidad, y rebobine la cinta con ◀◀.

## 2 Pulse CD e introduzca el(los) disco(s).

## 3 Pulse una vez CD EDIT/CHECK mientras pulsa SHIFT del control remoto.

"AI EDIT" se visualizará.



• Cuando se visualice "PRGM", pulse CD EDIT/CHECK mientras pulsa de nuevo SHIFT.

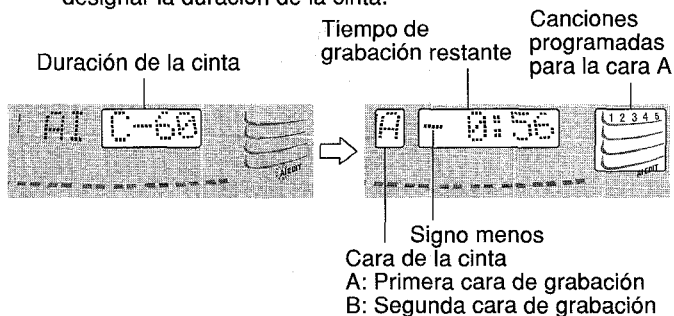
## 4 Pulse uno de los botones DISC DIRECT PLAY 1-5 para seleccionar un disco.

Para seleccionar el disco 4 o 5 desde el control remoto, pulse DISC DIRECT PLAY 4 o 5 mientras pulsa SHIFT.

## 5 Pulse los botones numerados 0-9 del control remoto para designar la duración de la cinta.

Se puede especificar una duración de 10 a 99 minutos. Ejemplo: Cuando utilice una cinta de 60 minutos, pulse 6 y 0. En unos pocos segundos, las canciones que vayan a ser grabadas en cada cara de la cinta serán determinadas.

• ◀◀, ▶▶ o MULTI JOG también se pueden utilizar para designar la duración de la cinta.



## 6 Pulse ● de la platina 1 para iniciar la grabación de la primera cara.

REC parpadeará durante 10 segundos y, la reproducción del disco compacto y la grabación de los temas de edición para la primera cara empezarán simultáneamente. Cuando se alcanza el final de la cinta, la platina 1 entrará en el modo de parada de grabación. Cuando la platina 1 entre en este modo, vaya al paso 7.

## 7 Pulse CD EDIT/CHECK mientras pulsa SHIFT del control remoto para visualizar el programa para la segunda grabación.

"B" se visualizará.

## 8 Dé la vuelta a la cinta de la platina 1 y pulse ● para iniciar la grabación de la segunda cara.

### Para parar la grabación en la mitad

Pulse ■/▲ de la platina 1.

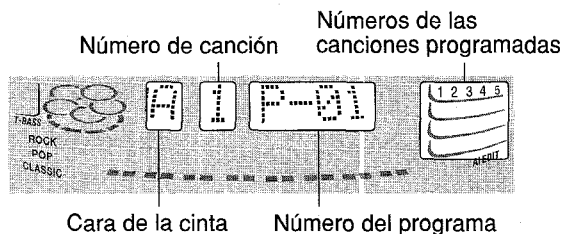
Se pararán simultáneamente la platina y la reproducción del disco compacto.

### Para eliminar el programa editado

Pulse dos veces ■ CLEAR en el modo de parada de forma que "EDIT" desaparezca del visualizador, o bien pulse ▲ OPEN/CLOSE.

### Para comprobar el orden de los números de las canciones programadas

Antes de grabar, pulse CD EDIT/CHECK mientras pulsa SHIFT del control remoto para seleccionar la cara A o la B, y pulse repetidamente ◀◀ o ▶▶ o gire MULTI JOG.



### Para añadir canciones de otros discos a un programa de edición

Si queda tiempo en la cinta después del paso 5, usted podrá añadir canciones de otros discos que se encuentren en la bandeja de los discos compactos.

1 Pulse CD EDIT/CHECK mientras pulsa SHIFT del control remoto para seleccionar la cara A o la B.

2 Pulse uno de los botones DISC DIRECT PLAY 1-5 para seleccionar un disco.

Para seleccionar el disco 4 o 5 desde el control remoto, pulse DISC DIRECT PLAY 4 o 5 mientras pulsa SHIFT.

3 Pulse los botones numerados del control remoto para seleccionar canciones.

Una canción cuyo tiempo de reproducción sea superior al tiempo restante no podrá ser programada.

4 Repita los pasos 2 y 3 para añadir más canciones.

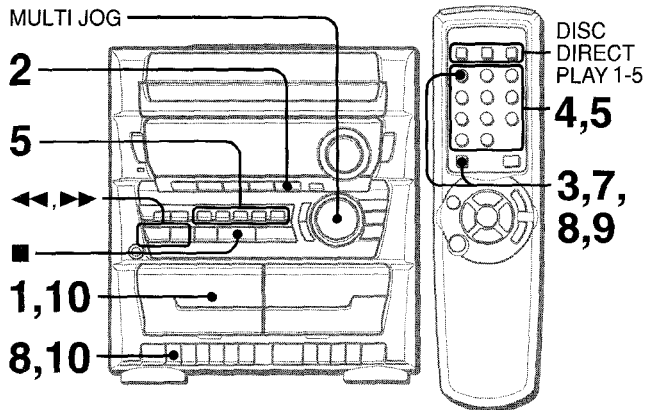
### Tiempo de las cintas de cassette y tiempo de edición

El tiempo real de grabación de los cassettes es por lo general un poco más largo que el tiempo de grabación especificado en sus etiquetas. Esta unidad puede programar canciones para utilizar ese tiempo extra. Cuando el tiempo total de grabación sea un poco más largo que el tiempo de grabación especificado en el cassette, después de la edición, el visualizador mostrará el tiempo extra (sin un signo menos) en lugar del tiempo restante de la cinta (con el signo menos).

### NOTA

La función de grabación con edición AI no se podrá utilizar con discos que tengan 31 canciones o más. Si se intenta hacer esto se visualizará "TR OVER".

## GRABACION CON EDICION PROGRAMADA



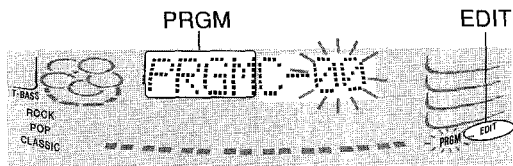
En la función de grabación con edición programada, las canciones pueden programarse mientras se comprueba el tiempo restante de cada cara de la cinta según se programan las canciones.

### 1 Inserte la cinta en la platina 1.

Inserte la cinta con la cara que vaya a grabar en primer lugar hacia afuera de la unidad, y rebobine la cinta con ◀▶.

### 2 Pulse CD e introduzca el (los) disco(s).

3 Pulse **dos veces** CD EDIT/CHECK mientras pulsa SHIFT del control remoto. "EDIT" y "PRGM" se visualizarán.

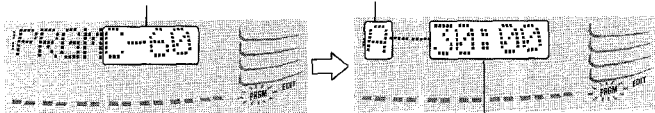


• Cuando se visualice "AI", pulse CD EDIT/CHECK mientras pulsa de nuevo SHIFT.

### 4 Pulse los botones numerados del control remoto para designar la duración de la cinta.

Se puede especificar una duración de 10 a 99 minutos.  
• ◀▶, ▶▶ o MULTI JOG también se encuentran disponibles para designar la duración de la cinta.

Duración de la cinta      Cara A de la cinta (cara delantera)

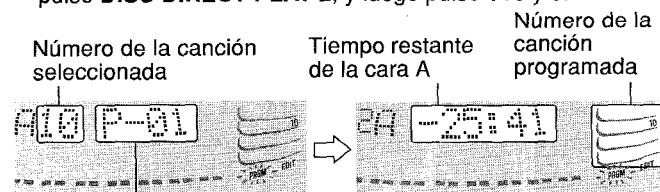


Tiempo de grabación máximo para la cara A

### 5 Pulse uno de los botones DISC DIRECT PLAY 1-5 para seleccionar un disco.

Luego, pulse los botones numerados 0-9 y +10 del control remoto para programar una canción. Para seleccionar el disco 4 o 5 desde el control remoto, pulse DISC DIRECT PLAY 4 o 5 mientras pulsa SHIFT.

Ejemplo: Para seleccionar la canción número 10 del disco 2, pulse DISC DIRECT PLAY 2, y luego pulse +10 y 0.



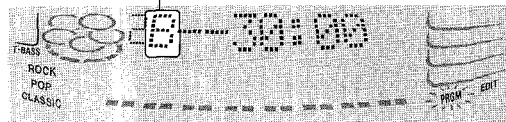
Número de programa

### 6 Repita el paso 5 para el resto de las canciones para la cara A.

Una canción cuyo tiempo de reproducción sea superior al tiempo restante no podrá ser programada.

### 7 Pulse CD EDIT/CHECK mientras pulsa SHIFT del control remoto para seleccionar la cara B y programe las canciones para la cara B.

Cara B de la cinta (cara trasera)



### 8 Pulse CD EDIT/CHECK mientras pulsa SHIFT para seleccionar la cara A y pulse ● de la platina 1 para iniciar la grabación.

Parpadeará REC durante 10 segundos, la reproducción del disco compacto y la grabación de los temas de edición en la primera cara comenzarán simultáneamente. Al alcanzar el final de la cinta, la platina 1 entrará en el modo de parada de grabación. Después de entrar en el modo de parada de grabación, vaya al paso 9.

### 9 Pulse CD EDIT/CHECK mientras pulsa SHIFT del control remoto para grabar la segunda cara.

"B" se visualizará.

### 10 Dé la vuelta a la cinta de la platina 1 y pulse ● para iniciar la grabación.

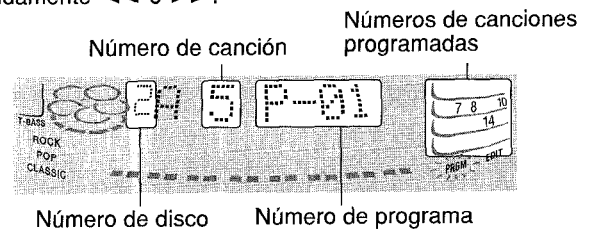
Empezará la grabación.

### Para detener la grabación

Pulse ■/▲ de la platina 1. La grabación y la reproducción del disco compacto pararán simultáneamente.

### Para comprobar el orden de los números de las canciones programadas

Antes de grabar, pulse CD EDIT/CHECK mientras pulsa SHIFT del control remoto para seleccionar la cara A o la B, y pulse repetidamente ◀▶ o ▶▶.



### Para cambiar el programa de cada cara

Pulse CD EDIT/CHECK mientras pulsa SHIFT del control remoto para seleccionar la cara A o B, y pulse ■ CLEAR para borrar el programa de la cara seleccionada. Luego vuelva a programar canciones.

### Para borrar el programa de edición

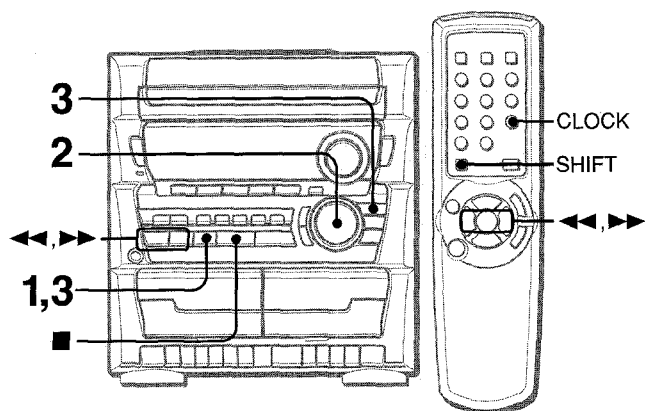
Pulse ■ CLEAR dos veces en el modo de parada para que "EDIT" desaparezca del visualizador.

### NOTA

- La grabación no podrá realizarse si está rota la lengüeta de prevención de borrado para la cara de la cinta hacia afuera de la unidad.
- Se podrá programar un máximo de 30 canciones de cualquiera de los discos introducidos.
- "FULL" se visualizará si usted intenta programar más de 30 canciones.



**PUESTA EN HORA DEL RELOJ**



Cuando el reloj no esté ajustado, “:” entre las horas y los minutos parpadeará. Cuando el ajuste del reloj se cancele debido a un fallo en la alimentación, toda la visualización del reloj parpadeará.

**1 Pulse II.**

Cuando utilice el control remoto, pulse **CLOCK** mientras pulsa **SHIFT**.



**2 Antes de que pasen 4 segundos, gire MULTI JOG para designar la hora y los minutos.**

Al girar **MULTI JOG** cambian las horas y los minutos. También se puede utilizar **◀◀** o **▶▶** en lugar de **MULTI JOG**. Manteniendo pulsados estos botones, la hora cambiará rápidamente.

**3 Pulse ENTER o II.**

El reloj empieza a funcionar desde 00 segundos.

**Para ver el reloj habiendo otra visualización en el visualizador**

Pulse **CLOCK** mientras pulsa **SHIFT**. La hora se visualizará durante 4 segundos y luego volverá a aparecer la visualización original. Sin embargo, el reloj no podrá visualizarse durante la grabación.

**Para cambiar al modo de 24 horas**

Pulse **II** y luego pulse **■** antes de que pasen 4 segundos. Repita el mismo procedimiento para reponer el modo de 12 horas.

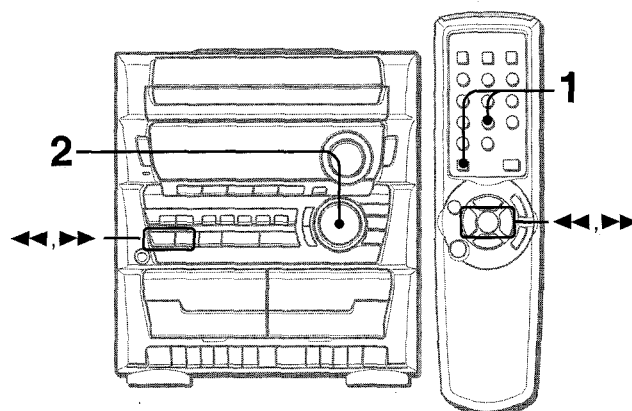
**Si parpadea la visualización del reloj**

Si parpadea la visualización cuando se visualiza el reloj, esto indica que el reloj se ha parado debido a un fallo en la alimentación o a la desconexión del cable de alimentación. La hora actual necesita reponerse.

**NOTA**

Si está activado el modo de ahorro de energía (página 7), todas las luces del visualizador se apagarán cuando se desconecte la alimentación. Para ver el reloj, pulse **II** de forma que la hora se visualice durante 4 segundos.

**AJUSTE DEL TEMPORIZADOR PARA DORMIR**



La unidad se podrá apagar automáticamente después de transcurrido un tiempo especificado.

Utilice el control remoto.

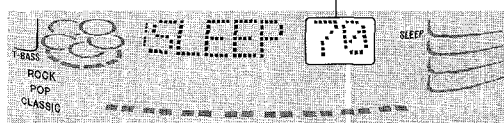
**1 Pulse SLEEP mientras pulsa SHIFT del control remoto.**



**2 Antes de que pasen 4 segundos, gire MULTI JOG o pulse ◀◀ o ▶▶ para especificar el tiempo tras el cual se desconectará la alimentación.**

El tiempo cambiará entre 5 y 240 minutos en pasos de 5 minutos.

Tiempo especificado



**Para comprobar el tiempo restante hasta que se desconecte la alimentación**

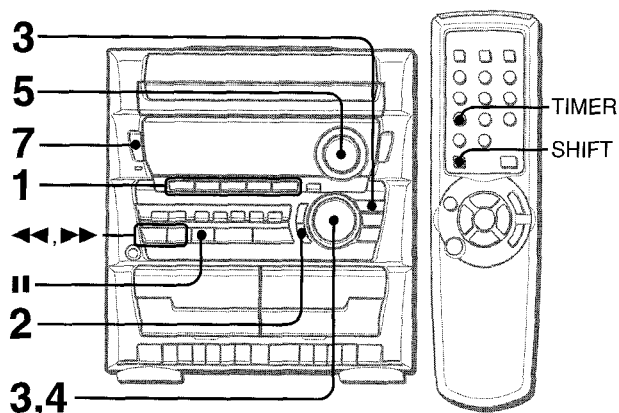
Pulse una vez **SLEEP** mientras pulsa **SHIFT**. El tiempo restante se visualizará durante 4 segundos.

**Para cancelar el temporizador para dormir**

Pulse dos veces **SLEEP** mientras pulsa **SHIFT** para que desaparezca “SLEEPoFF” del visualizador.



## AJUSTE DEL TEMPORIZADOR



La unidad podrá encenderse a la hora especificada todos los días gracias al temporizador incorporado.

### Preparación

Asegúrese de que la hora del reloj sea correcta.

**1 Pulse uno de los botones de función para seleccionar una fuente.**

**2 Pulse TIMER para visualizar ☹ y PLAY.**

Cuando utilice el control remoto, pulse **TIMER** mientras pulsa **SHIFT**.

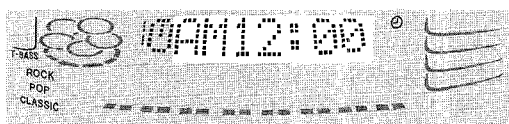
La hora y el nombre de la fuente de sonido parpadean alternativamente.



**3 Antes de que pasen 6 segundos, gire MULTI JOG para designar la hora de encendido del temporizador, y luego pulse ENTER o .**

Al girar **MULTI JOG** cambian las horas y los minutos.

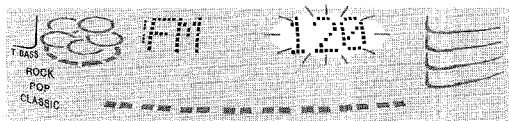
o también se encuentra disponible en lugar de **MULTI JOG**. Al mantener pulsados estos botones, la hora cambiará rápidamente.



**4 Antes de que pasen 4 segundos, gire MULTI JOG para seleccionar la duración del período activado por temporizador.**

La duración puede ajustarse entre 5 y 240 minutos en pasos de 5 minutos.

• o también se encuentra disponible en lugar de **MULTI JOG**.



La duración se ajustará automáticamente después de 4 segundos. También se ajustará si **ENTER** o **II** se pulsa antes de que pasen 4 segundos después del paso 4.

**5 Ajuste el volumen.**

El sonido de la fuente se reproducirá al nivel de sonido ajustado en este paso cuando la alimentación sea conectada por el temporizador.

Sin embargo, si el nivel del sonido se ajusta a 21 o más, éste se ajustará automáticamente a 20 cuando se conecte la alimentación.

**6 Prepare la fuente.**

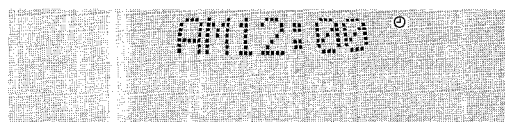
**Para escuchar un disco compacto**, cargue el disco que vaya a reproducir en primer lugar en la bandeja 1.

**Para escuchar una cinta**, inserte la cinta en la platina 1 ó 2.

**Para escuchar la radio**, sintonice una emisora.

**7 Pulse POWER para desconectar la alimentación.**

permanecerá en el visualizador después de que se desconecte la alimentación (modo de espera del temporizador) si el modo de ahorro de energía está en OFF.



**8 Preparativos para la función TAPE o la grabación con temporizador.**

**Para escuchar una cinta de cassette**, pulse de la platina 1 o 2.

**Para grabar la fuente de sonido**, introduzca la cinta en la platina 1 y pulse de la platina 1.

Cuando llegue la hora de encendido del temporizador, la unidad se encenderá y la reproducción empezará con la fuente seleccionada.

### NOTA

- Usted puede cambiar el sonido que fue seleccionado en el paso 1 pulsando uno de los botones de función antes de pulsar **ENTER** o **II** en el paso 3.
- Si el modo de ahorro de energía está en ON, no se visualizará en el modo de temporizador en espera.

**Tiempo de grabación por temporizador y duración de la cinta**

Cuando la duración de la cinta que va a grabar es más corta que el tiempo de grabación por temporizador, de la platina 1 se libera antes de que el temporizador esté en estado apagado. Cuando la duración de la cinta es más larga que el tiempo de grabación establecido no se libera . Si no se libera durante largo tiempo, puede dañarse la cinta que hay en la platina. Pulse para liberar .

**Para comprobar el ajuste del temporizador**

Pulse **TIMER**.

La fuente seleccionada, la hora de encendido del temporizador y la duración del periodo activado por temporizador se visualizarán durante 4 segundos.

**Para cambiar cualquiera de los ajustes anteriores**

Empiece desde el paso 1.

Sin embargo, si no cambia la hora de encendido del temporizador en el paso 3, pulse dos veces **ENTER** y continúe desde el paso 4.

**Para cancelar temporalmente el modo de espera del temporizador**

Pulse **TIMER** para que desaparezca ☹.

Para reponer el modo de espera del temporizador, púlse **TIMER** de nuevo para visualizar ☹.

**Utilización de la unidad mientras esté ajustado el temporizador**

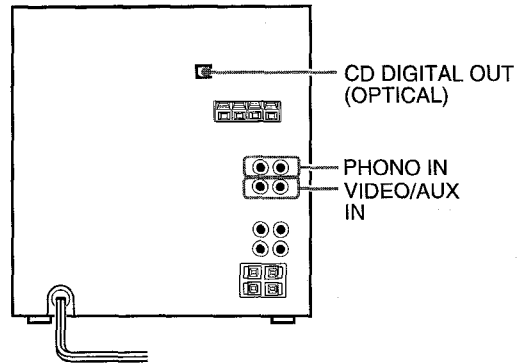
Podrá utilizar normalmente la unidad después de ajustar el temporizador.

Antes de desconectar la alimentación, realice los pasos 5 y 6.

**NOTA**

- La reproducción y la grabación con temporizador no empezarán si no se desconecta la alimentación.
- El equipo conectado no se podrá encender ni apagar con el temporizador incorporado de esta unidad. Utilice en este caso un temporizador externo.

**CONEXION DE UN EQUIPO OPCIONAL**



Consulte el manual de instrucciones del equipo conectado para tener más detalles.

- Los cables de conexión no han sido suministrados. Obtenga los cables de conexión necesarios.
- Consulte con su concesionario Aiwa en cuanto al equipo opcional.

**TOMAS VIDEO/AUX IN**

Esta unidad puede introducir señales de sonido analógico a través de estas tomas.

Utilice un cable con clavijas fono RCA para conectar equipos de audio (reproductores de discos láser, reproductores de minidiscos, vídeos, televisores, etc.).

Conecte la clavija roja a la toma **VIDEO/AUX IN R** y la blanca a la toma **VIDEO/AUX IN L**.

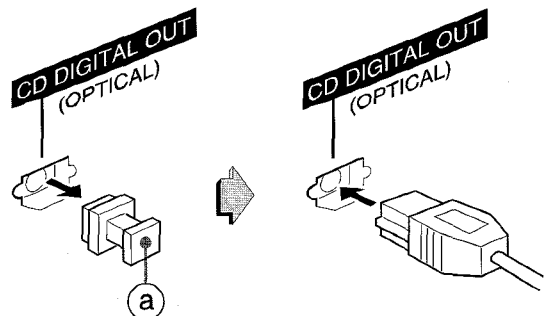
**TOMAS PHONO IN**

Conecte un giradiscos. Utilice un giradiscos Aiwa provisto de amplificador con equalizador incorporado.

**TOMA CD DIGITAL OUT (OPTICAL)**

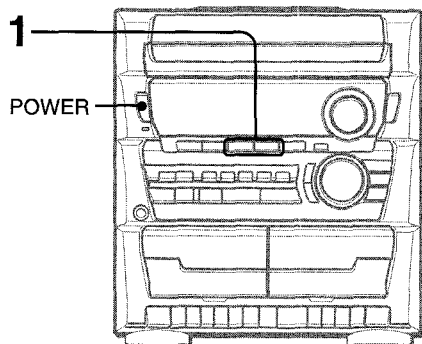
Esta unidad puede dar salida a señales de sonido digital de discos compactos a través de esta toma. Utilice un cable óptico para conectar el equipo de audio digital (platina de cinta audiodigital, grabadora de minidiscos, etc.).

Quite la tapa contra el polvo (a) de la toma **CD DIGITAL OUT (OPTICAL)**. Luego, conecte la clavija del cable óptico a la toma **CD DIGITAL OUT (OPTICAL)**.



**Cuando no se utilice la toma CD DIGITAL OUT (OPTICAL)**  
Ponga la tapa contra el polvo.

## ESCUCHA DE FUENTES DE SONIDO EXTERNAS



Para hacer la reproducción en el equipo conectado a las tomas **PHONO IN** o **VIDEO/AUX IN**, siga el procedimiento siguiente:

### 1 Pulse **PHONO** o **VIDEO/AUX**.

"PHONO" o "VIDEO" aparecerá en el visualizador.

### 2 Haga la reproducción en el equipo conectado.

#### Para cambiar el nombre de una fuente de sonido en el visualizador

Cuando se pulse **VIDEO/AUX**, "VIDEO" se visualizará inicialmente. Esto podrá ser cambiado por "AUX" o "TV".

Cuando la alimentación esté conectada, pulse **POWER** mientras pulsa **VIDEO/AUX**.

Repita el procedimiento para seleccionar uno de los nombres.

## GENERALIDADES

## CUIDADOS Y MANTENIMIENTO

El mantenimiento y el cuidado ocasional de la unidad y del software resultan necesarios para optimizar las prestaciones de su unidad.

#### Para limpiar la caja

Utilice un paño blando y seco.

Si las superficies están muy sucias, utilice un paño suave humedecido un poco en una solución de detergente suave. No utilice disolventes fuertes tales como alcohol, bencina o diluyente porque éstos podrían estropear el acabado de la unidad.

#### Para limpiar las cabezas magnetofónicas

Cuando las cabezas magnetofónicas estén sucias:

- el sonido de alta frecuencia no se emitirá
- el sonido no alcanzará la altura adecuada
- el sonido estará desequilibrado
- la cinta no podrá borrarse
- no podrá grabarse en la cinta

Después de cada 10 horas de utilización, limpie las cabezas magnetofónicas con un casete de limpieza de cabezas.

Consulte las instrucciones del casete de limpieza para conocer detalles.

#### Para desmagnetizar las cabezas magnetofónicas

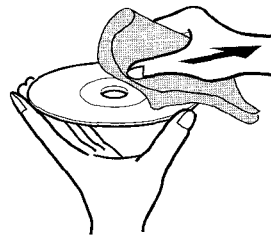
Las cabezas magnetofónicas puede magnetizarse después de utilizarlas durante mucho tiempo. Esto puede reducir la gama de salida de las cintas grabadas y aumentar el ruido.

Después de 20 a 30 horas de utilización, desmagnetice las cabezas magnetofónicas con un casete desmagnetizador vendido por separado.

Consulte las instrucciones del casete desmagnetizador para conocer más detalles.

#### Cuidado de los discos

- Cuando un disco esté sucio, límpielo pasando un paño de limpieza desde el centro hacia afuera.



- Después de reproducir un disco, guárdelo en su caja. No deje los discos en lugares calientes o húmedos.

#### Cuidados de las cintas

- Guarde las cintas en sus cajas después de utilizarlas.
- No deje las cintas cerca de imanes, motores, televisores o cualquier otra fuente de magnetismo. Esto reducirá la calidad del sonido y causará ruidos.
- No exponga cintas a la luz directa del sol, ni las deje en el interior de un automóvil estacionado bajo la luz directa del sol.

## GUIA PARA LA SOLUCION DE PROBLEMAS

Si la unidad no funciona como se describe en este manual de instrucciones, compruebe la guía siguiente:

### GENERALIDADES

#### No hay sonido.

- ¿Está bien conectado el cable de alimentación de CA?
- ¿Hay alguna conexión mal hecha? (→ página 4)
- Puede haber un cortocircuito en los terminales de los altavoces.  
→ Desconecte el cable de alimentación de CA y corrija las conexiones de los altavoces.
- ¿Se ha pulsado un botón de función equivocado?

#### Sólo sale sonido de un altavoz.

- ¿Está el otro altavoz desconectado?

#### Se produce una visualización errónea o un mal funcionamiento.

- Vuelva a ajustar la unidad como se indica más abajo.

### SECCION DEL SINTONIZADOR

#### Hay un ruido de estática constante en forma de onda.

- ¿Está conectada correctamente la antena? (→ página 5)
- ¿Es débil la señal?  
→ Conecte una antena exterior.

#### La recepción tiene interferencias o el sonido está distorsionado.

- ¿Capta el sistema ruidos externos o distorsión de múltiples trayectorias?  
→ Cambie la orientación de la antena.  
→ Separe la unidad de otros aparatos eléctricos.

### SECCION DE LA PLATINA

#### La cinta no se mueve.

- ¿Está la platina 2 en el modo de pausa? (→ página 11)

#### El sonido está desequilibrado o no alcanza la altura suficiente.

- ¿Está sucia la cabeza de reproducción? (→ página 21)

#### No es posible grabar.

- ¿Está rota la lengüeta de prevención contra borrado? (→ página 15)
- ¿Está sucia la cabeza de grabación? (→ página 21)

#### No es posible borrar la grabación.

- ¿Está sucia la cabeza de borrado? (→ página 21)
- ¿Está utilizando una cinta de metal?

#### No se emite sonido de alta frecuencia.

- ¿Está sucia la cabeza de grabación/reproducción? (→ página 21)

### SECCION DEL REPRODUCTOR DE DISCOS COMPACTOS

#### El reproductor de discos compactos no puede reproducir.

- ¿Está bien puesto el disco? (→ página 12)
- ¿Está sucio el disco? (→ página 21)
- ¿Afecta la condensación a la lente?  
→ Espere una hora aproximadamente y pruebe otra vez.

### Para reajustar la unidad

Si se produce alguna condición extraña en el visualizador o en las platinas, reajuste la unidad de la forma siguiente:

- 1 Pulse **POWER** para desconectar la alimentación.
- 2 Pulse **POWER** para conectar la alimentación mientras pulsa **CLEAR**. Todo lo que haya sido almacenado en la memoria después de haber adquirido la unidad se borrará.

Si no puede desconectarse la alimentación en el paso 1 debido a algún mal funcionamiento, reajuste la unidad desconectando el cable de alimentación de CA y conectándolo de nuevo. Luego ejecute el paso 2.

## ESPECIFICACIONES

### Unidad principal CX-ZL30

#### Sección del sintonizador de FM

Gama de sintonización	87,5 MHz a 108 MHz
Sensibilidad útil (IHF)	13,2 dBf
Terminales de antena	75 ohmios (desequilibrada)

#### Sección del sintonizador de AM

Gama de sintonización	530 kHz a 1710 kHz (pasos de 10 kHz) 531 kHz a 1602 kHz (pasos de 9 kHz)
Sensibilidad útil	350 µV/m
Antena	Antena de cuadro

#### Sección del amplificador

##### Amplificador de frecuencia media a alta

Potencia de salida	15 W + 15 W (200 Hz – 20 kHz, distorsión armónica total inferior al 1 %, 8 ohmios)
Distorsión armónica total	0,06 % (5 W, 1 kHz, 8 ohmios, DIN AUDIO)

##### Amplificador de baja frecuencia

Potencia de salida	45 W + 45 W (50 Hz – 200 Hz, distorsión armónica total inferior al 1 %, 4 ohmios)
Distorsión armónica total	0,1 % (15 W, 135 Hz, 4 ohmios, DIN AUDIO)

#### Entradas

VIDEO/AUX: 310 mV (ajustable)  
PHONO: 400 mV

#### Salidas

SPEAKERS HIGH FREQ: acepta altavoces de 8 ohmios o más  
SPEAKERS LOW FREQ: acepta altavoces de 4 ohmios o más  
SURROUND SPEAKERS: acepta altavoces de 8 ohmios a 16 ohmios  
PHONES (toma estéreo): acepta auriculares de 32 ohmios o más

#### Sección de la platina

Formato de pistas	4 pistas, 2 canales estéreo
Respuesta de frecuencia	50 Hz – 12500 Hz
Sistema de grabación	Polarización de CA
Cabezas	Platina 1: 1 cabeza de grabación/reproducción, 1 cabeza de borrado Platina 2: 1 cabeza de reproducción

#### Sección del reproductor de discos compactos

Láser	Láser de semiconductor (λ = 780 nm)
Convertidor D-A	1 bit doble
Relación señal a ruido	85 dB (1 kHz, 0 dB)
Distorsión armónica	0,05 % (1 kHz, 0 dB)
Fluctuación y trémolo	No se puede medir

#### Generalidades

Alimentación	120 V CA, 60 Hz
Consumo	110 W
Dimensiones de la unidad principal (An x Al x Prof)	360 x 394,5 x 386 mm
Peso de la unidad principal	9 kg

**Sistema de altavoces SX-WZL60**

<b>Tipo de caja</b>	3 vías, super woofer incorporado
<b>Altavoces</b>	Altavoz de subgraves: Tipo cónico de 220 mm Gama completa: Tipo cónico de 120 mm Altavoz para superagudos: Tipo cerámico de 20 mm
<b>Impedancia</b>	4 ohmios/8 ohmios
<b>Nivel de presión acústica de salida</b>	89 dB/W/m
<b>Dimensiones (An × Al × Prof)</b>	290 × 444 × 296 mm
<b>Peso</b>	6,5 kg

Las especificaciones y el aspecto exterior están sujetos a cambios sin previo aviso.

**DERECHOS DE AUTOR**

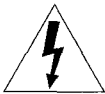
Sírvase comprobar las leyes de derechos de autor relacionadas con la grabación de discos, de la radio o de cintas del país en el que se utilice el aparato.

## AVERTISSEMENT

AFIN DE LIMITER LES RISQUES D'INCENDIE OU D'ELECTROCUTION, NE PAS EXPOSER CET APPAREIL A LA PLUIE OU A L'HUMIDITE.



### Explication des symboles graphiques:



L'éclair muni d'un symbole en forme de flèche, à l'intérieur d'un triangle équilatéral, est destiné à alerter l'utilisateur sur la présence d'une "tension dangereuse" non isolée à l'intérieur du coffret qui peut être suffisamment forte pour constituer un risque d'électrocution pour une personne.



Le point d'exclamation à l'intérieur d'un triangle équilatéral est destiné à alerter l'utilisateur sur la présence d'instructions importantes sur la fonctionnalité et l'entretien (réparation) dans les instructions accompagnant cet appareil.

### Référence de l'utilisateur

Veillez reporter le numéro du modèle et le numéro de série (que vous trouverez à l'arrière de l'appareil) dans l'espace disponible ci-dessous. Ces numéros vous serviront de référence si vous devez consulter votre revendeur Aiwa en cas de difficulté.

Numéro du modèle	Numéro de série (lot)
CX-ZL30	
SX-WZL60	
SX-R276	

## PRECAUTIONS

Lisez attentivement tout ce mode d'emploi avant de mettre l'appareil en service. Conservez le mode d'emploi pour pouvoir vous y reporter ultérieurement. Observez scrupuleusement tous les avertissements et précautions signalés dans le mode d'emploi et sur l'appareil, et respectez les conseils de sécurité ci-dessous.

### Installation

- 1 Eau et humidité** — Ne pas utiliser l'appareil près d'une baignoire, d'un lavabo, d'une piscine ou de tout autre endroit similaire.
- 2 Chaleur** — Ne pas utiliser l'appareil près d'une source de chaleur, comme une sortie d'air chaud, un réchaud, ou tout autre appareil produisant de la chaleur. Il ne doit pas non plus être exposé à des températures inférieures à 5°C (41°F) ou supérieures à 35°C (95°F).
- 3 Installation** — Installez l'appareil sur une surface plane, de niveau.

- 4 Ventilation** — Laissez un espace suffisant tout autour de l'appareil pour garantir une bonne ventilation, soit environ 10 cm (4 po.) à l'arrière et au-dessus de l'appareil et 5 cm (2 po.) sur les deux côtés.

- Ne pas poser l'appareil sur un lit, une couverture ou toute autre surface similaire qui pourrait boucher les orifices de ventilation.
- Ne pas installer l'appareil dans une étagère, un placard ou un meuble audio hermétique où la ventilation est insuffisante.

- 5 Objets et liquide** — Veillez à ce qu'aucun objet ni liquide ne pénètre à l'intérieur de l'appareil par les orifices de ventilation.

- 6 Chariots et supports** — Quand vous installez l'appareil sur un support ou un chariot, déplacez l'ensemble lentement. Des arrêts subits, des mouvements brusques et des surfaces inégales peuvent être à l'origine d'un renversement ou d'une chute de l'appareil ou du chariot.



- 7 Condensation** — De la condensation peut se former sur la lentille du bloc optique quand:

- L'appareil est transporté d'un endroit froid dans un endroit chaud.
- Un appareil de chauffage vient juste d'être mis en marche.
- L'appareil est utilisé dans une pièce très humide.
- L'appareil est refroidi par un climatiseur.

Un dysfonctionnement est possible si de l'humidité s'est condensée à l'intérieur de l'appareil. Dans ce cas, mettez l'appareil en marche après quelques heures d'attente.

- 8 Fixation sur un mur ou au plafond** — L'appareil ne doit pas être installé sur un mur ou au plafond, sauf indications contraires dans le mode d'emploi.

### Courant électrique

- 1 Sources d'alimentation** — Raccordez l'appareil seulement aux sources d'alimentation spécifiées dans le mode d'emploi et indiquée sur l'appareil.

- 2 Polarisation** — Pour des raisons de sécurité, certains appareils sont équipés d'une fiche d'alimentation secteur polarisée qui ne peut être insérée que d'une seule manière dans une prise murale. S'il est difficile ou impossible d'insérer la fiche dans une prise, tournez la fiche dans l'autre sens et essayez de nouveau. Si la fiche est toujours difficile à insérer, veuillez contacter un technicien agréé pour la réparation ou le remplacement de la prise. Pour conserver les avantages offerts par cet élément de sécurité, n'essayez pas d'insérer la fiche dans une prise murale en forçant.

- 3 Cordon d'alimentation secteur**

- Quand vous débranchez le cordon d'alimentation secteur, tirez sur la fiche et non pas sur le cordon.
- Ne jamais toucher la fiche secteur avec des mains humides, afin d'éviter les risques d'incendie ou d'électrocution.
- Les cordons d'alimentation doivent être acheminés correctement pour éviter qu'ils ne soient pliés, coincés ou piétinés. Faites particulièrement attention au cordon reliant l'appareil à la prise secteur.
- Evitez de surcharger les fiches et prolongateurs au-delà de leur capacité afin d'éviter tout risque d'incendie ou d'électrocution.

- 4 Prolongateur** — Pour prévenir les chocs électriques, ne pas utiliser cette fiche polarisée avec un prolongateur, une prise de courant ou une autre sortie de courant, sauf si les lames de la fiche peuvent être insérées à fond sans en laisser aucune partie à découvert.

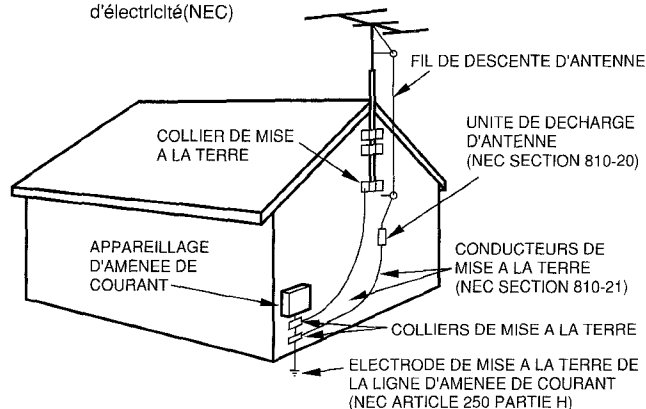
- 5 Quand l'appareil n'est pas utilisé** — Débranchez le cordon d'alimentation de la prise secteur si vous prévoyez de ne pas utiliser l'appareil pendant plusieurs mois. Quand le cordon est branché, une petite quantité d'électricité s'écoule vers l'appareil même si celui-ci est hors tension.

## Antenne extérieure

**1 Lignes électriques** — Quand vous raccordez une antenne extérieure, assurez-vous qu'elle est suffisamment éloignée des lignes électriques.

**2 Mise à la terre de l'antenne extérieure** — Assurez-vous que l'antenne est raccordée correctement à la terre par mesure de protection contre les surtensions et l'accumulation de charges statiques. L'article 810 du National Electrical Code, ANSI/NFPA 70, offre des renseignements portant sur la mise à la terre correcte du mât et de la structure de support, la mise à la terre du fil d'antenne avec un appareil de décharge pour antenne, la taille des conducteurs de mise à la terre, la position de l'appareil de décharge pour antenne, le raccordement aux électrodes de mise à la terre, et les conditions requises pour les électrodes de mise à la terre.

Mise à la terre d'une antenne selon le code national d'électricité (NEC)



NEC: CODE NATIONAL D'ELECTRICITE

## Entretien

Nettoyez l'appareil comme indiqué dans le mode d'emploi.

## Réparations exigeant l'intervention d'un professionnel

Faites réparer l'appareil par un réparateur agréé dans les cas suivants:

- Le cordon d'alimentation secteur ou la fiche ont été endommagés.
- Des objets ou liquides ont pénétré à l'intérieur de l'appareil.
- L'appareil a été exposé à la pluie ou à l'eau.
- L'appareil ne semble pas fonctionner correctement.
- Les performances de l'appareil se sont dégradées de façon perceptible.
- L'appareil est tombé ou le coffret a été endommagé.

**NE PAS ESSAYER DE REPARER SOI-MEME L'APPAREIL**

# TABLE DES MATIERES

## PREPARATIFS

RACCORDEMENTS .....	4
TELECOMMANDE .....	6
AVANT L'UTILISATION .....	6

## SON

REGLAGES AUDIO .....	9
EGALISEUR GRAPHIQUE .....	9

## RECEPTION RADIO

ACCORD MANUEL .....	10
PREREGLAGE DE STATIONS .....	11

## LECTURE DE CASSETTE

OPERATIONS DE BASE .....	11
--------------------------	----

## LECTURE DE CD

OPERATIONS DE BASE .....	12
LECTURE PROGRAMMEE .....	14

## ENREGISTREMENT

ENREGISTREMENT DE BASE .....	15
ENREGISTREMENT AVEC MONTAGE ET CALCUL DU TEMPS .....	16
ENREGISTREMENT AVEC MONTAGE PROGRAMME .....	17

## HORLOGE ET MINUTERIE

REGLAGE DE L'HEURE .....	18
REGLAGE DU TEMPORISATEUR .....	18
REGLAGE DE LA MINUTERIE .....	19

## AUTRES RACCORDEMENTS

RACCORDEMENT D'UN APPAREIL OPTIONNEL .....	20
ECOUTE DE SOURCES EXTERNES .....	21

## GENERALITES

PRECAUTIONS A PRENDRE ET ENTRETIEN .....	21
GUIDE DE DEPANNAGE .....	22
SPECIFICATIONS .....	22

NOMENCLATURE .....	dos
--------------------	-----

F

# RACCORDEMENTS

## Vérifiez la chaîne et les accessoires

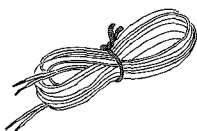
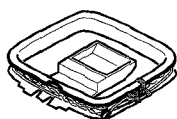
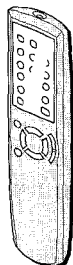
### Z-L30

Radio magnétocassette lecteur de disques compacts stéréo CX-ZL30  
Enceintes avant SX-WZL60  
Enceintes surround SX-R276

Télécommande

Antenne AM

Antenne FM



Mode d'emploi, etc.

### Avant de brancher le cordon d'alimentation secteur

La tension nominale de votre appareil indiquée sur le panneau arrière est de 120 V, CA. Vérifiez si la tension nominale correspond à la tension du secteur local.

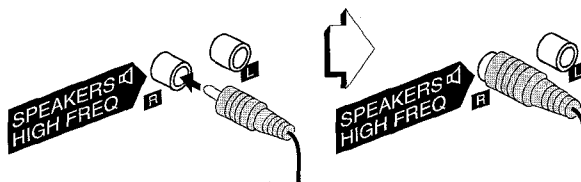
### IMPORTANT

Commencez par brancher les enceintes, les antennes et tous les appareils optionnels. Branchez le cordon d'alimentation secteur en dernier.

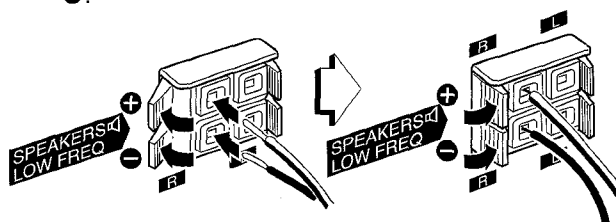
Il n'y a aucune différence entre les enceintes avant gauche et droite, de même qu'entre les enceintes surround gauche et droite. Les enceintes de chaque type peuvent être branchées indifféremment comme enceintes gauche sur L ou enceintes droites sur R.

## 1 Raccordez l'enceinte droite à l'appareil principal.

① Raccordez le cordon d'enceinte muni d'une fiche à la borne **SPEAKERS HIGH FREQ R**.

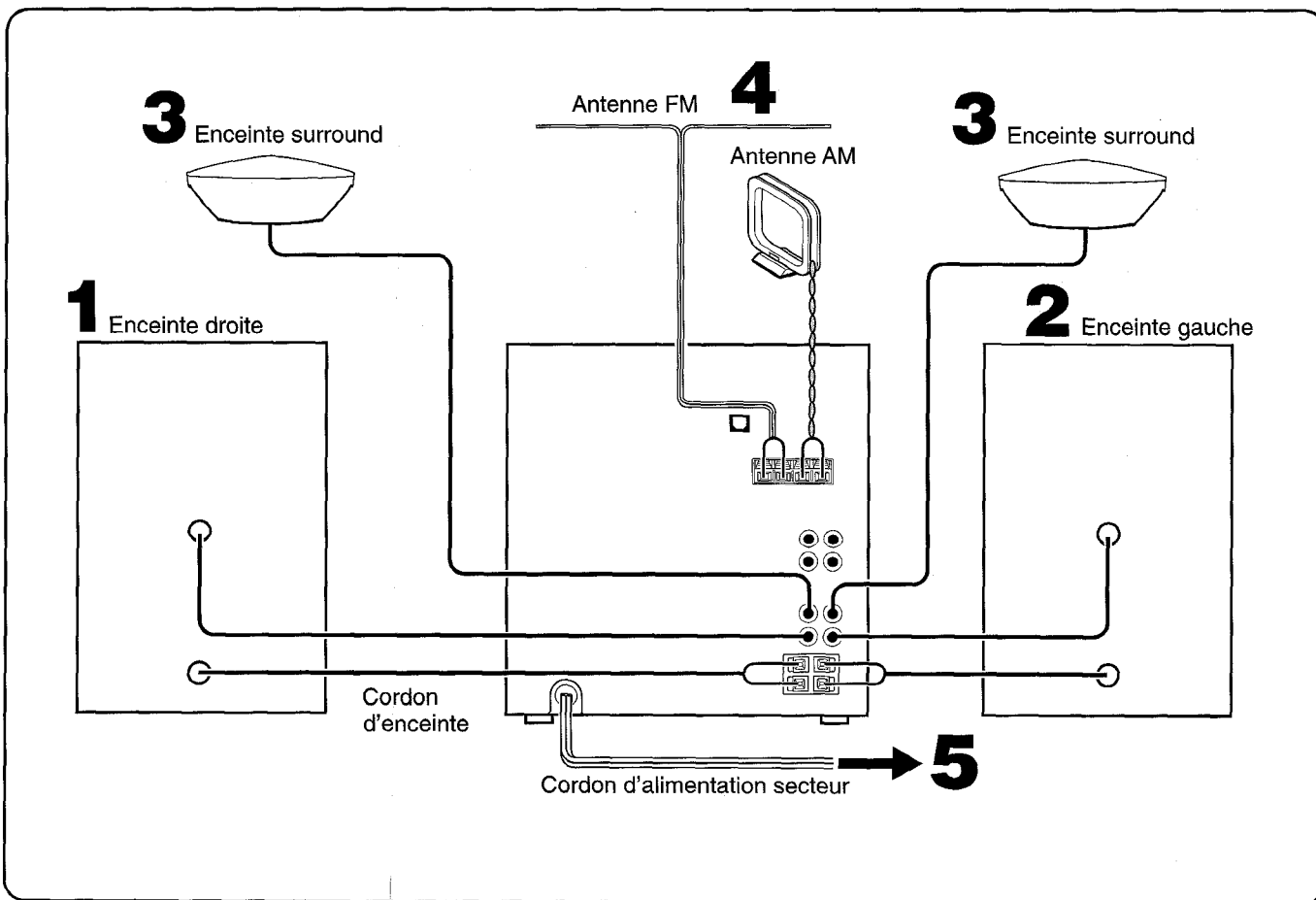


② Raccordez le cordon d'enceinte rayé de blanc à la borne **SPEAKERS LOW FREQ R** (+) et le cordon noir à la borne (-).



## 2 Raccordez l'enceinte gauche à l'appareil principal.

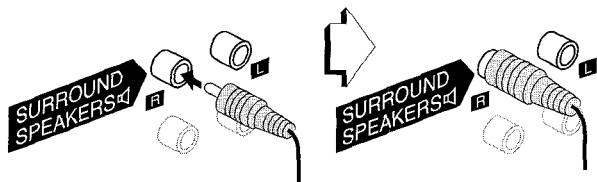
Raccordez le cordon d'enceinte muni d'une fiche à la borne **SPEAKERS HIGH FREQ L** et l'autre cordon d'enceinte aux bornes **SPEAKERS LOW FREQ L** de la même manière qu'à l'étape 1.





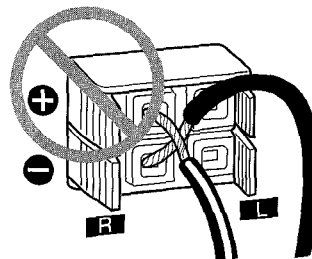
### 3 Raccordez les enceintes surround à l'appareil principal.

Raccordez le cordon de l'enceinte surround droite à la prise **SURROUND SPEAKERS R** et le cordon de l'enceinte surround gauche à la prise **SURROUND SPEAKERS L**.



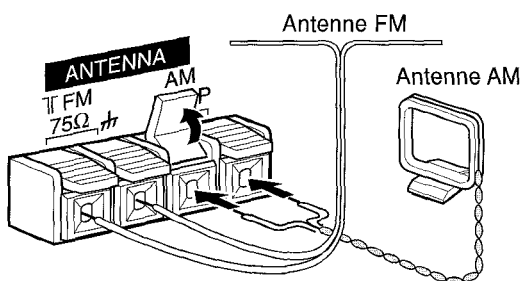
#### REMARQUE

- Veillez à raccorder les cordons d'enceinte correctement. Des connexions incorrectes peuvent provoquer des court-circuits au niveau des bornes **SPEAKERS**.



### 4 Raccordez les antennes fournies.

Raccordez l'antenne FM aux bornes **FM 75 Ω** et l'antenne AM aux bornes **AM LOOP**.



- Ne pas laisser d'objets produisant un champ magnétique, tels que des cartes de crédit, etc. près des enceintes. Ces objets pourraient être endommagés.
- Ne pas mettre l'antenne FM près d'objets métalliques ou de tringles à rideaux.
- Ne pas mettre l'antenne AM près d'un appareil optionnel, de la chaîne stéréo proprement dite, du cordon d'alimentation secteur ou des cordons d'enceinte; elle capterait des parasites.
- Ne pas dérouler le fil de l'antenne AM.

### 5 Raccordez le cordon d'alimentation secteur sur une prise de courant.

- Le jeu Demo démarre quand on branche le cordon d'alimentation secteur à une prise de courant. Pour plus de détails, voir la partie "MODE DE DEMONSTRATION DE JEU" à la page 8.

#### Pour installer les antennes

##### Antenne FM:

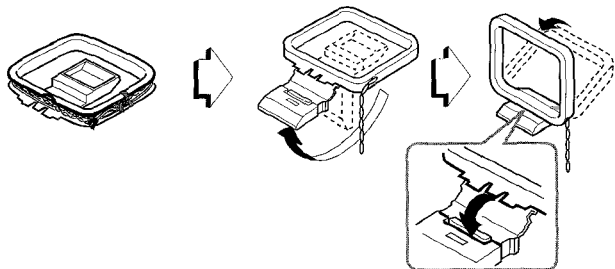
Déployez cette antenne horizontalement pour former un T et fixez ses extrémités à un mur.

##### Antenne AM:

Orientez cette antenne de manière à obtenir la meilleure réception possible.

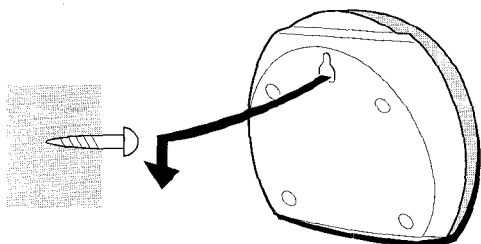
#### Avant de poser l'antenne AM sur une surface

Fixez la griffe dans la rainure.



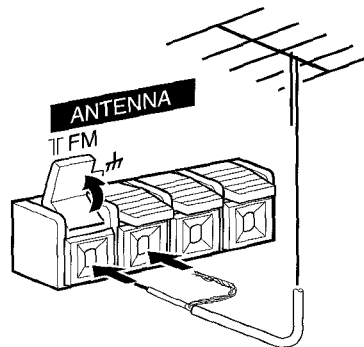
#### Pour fixer les enceintes surround au mur

Installez chaque enceinte à un endroit assez résistant pour en supporter le poids.



### RACCORDEMENT D'UNE ANTENNE EXTERIEURE

Pour obtenir une meilleure réception FM, il est recommandé d'utiliser une antenne extérieure. Raccordez l'antenne extérieure aux bornes **FM 75 Ω**.

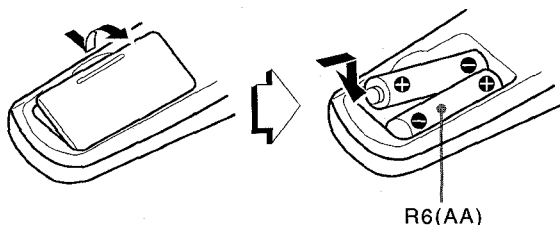


Pour raccorder un appareil optionnel → page 20.

## TELECOMMANDE

### Mise en place des piles

Enlevez le couvercle du logement des piles au dos de la télécommande et insérez deux piles R6 (format AA).



### Quand remplacer les piles

La distance maximale de fonctionnement de la télécommande entre cette dernière et le capteur situé sur l'appareil principal doit être d'environ 5 mètres (16 pieds). Lorsque cette distance diminue, remplacez les piles par des neuves.

### Pour utiliser SHIFT de la télécommande

Les touches ① ont deux fonctions différentes. Une de ces fonctions est indiquée sur la touche, et l'autre sur la plaque située au-dessus de la touche.

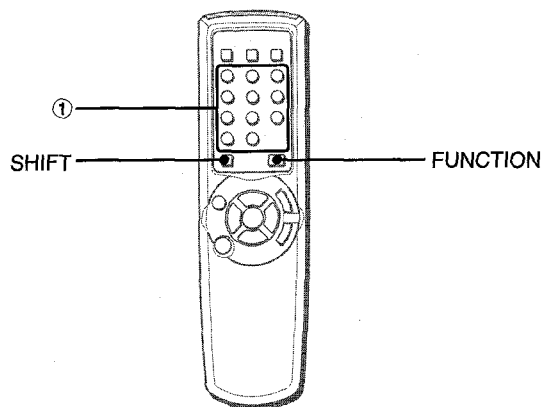
Pour utiliser la fonction principale de la touche, appuyez simplement sur cette touche.

Pour utiliser la fonction de la plaque au-dessus de la touche, appuyez sur cette touche tout en maintenant **SHIFT** enfoncée.

### Pour utiliser FUNCTION de la télécommande

**FUNCTION** remplace les touches de fonction (**TAPE, TUNER/BAND, PHONO, VIDEO/AUX, CD**) de l'appareil principal.

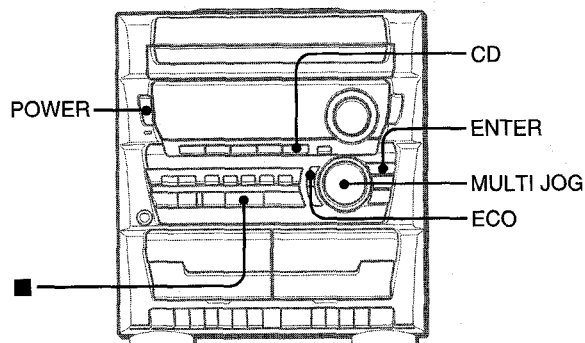
A chaque pression sur **FUNCTION**, la fonction suivante est sélectionnée.



### REMARQUE

- Si la télécommande ne doit pas être utilisée pendant longtemps, enlevez les piles pour éviter tout risque de fuite d'électrolyte.
- La télécommande risque de ne pas fonctionner correctement quand:
  - l'espace entre la télécommande et le capteur situé dans l'afficheur est exposé à une lumière intense, comme les rayons du soleil
  - d'autres télécommandes (celle d'un téléviseur, par exemple) sont utilisées à proximité

## AVANT L'UTILISATION



### Pour mettre l'appareil sous tension

Appuyez sur une des touches de fonction (**TAPE, TUNER/BAND, PHONO, VIDEO/AUX, CD**). La lecture du disque en place commence, ou la station écoutée en dernier est reçue (fonction de lecture directe).

Vous pouvez aussi appuyer sur **POWER**.

### Pour mettre l'appareil hors tension

Appuyez sur **POWER**.

### Indications par éclairage des touches

Lorsque vous appuyez sur **POWER** ou sur une touche de fonction, les touches correspondant à l'opération sélectionnée s'allument ou clignotent.

### Afficheurs clignotants

L'afficheur de la partie supérieure de l'appareil s'allume ou clignote quand l'appareil est mis sous tension.

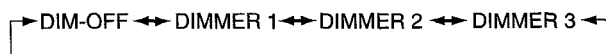
Pour éteindre l'éclairage de la fenêtre supérieure, appuyez sur ■ tout en maintenant **CD** enfoncée. Pour rallumer l'éclairage, répétez cette opération.

### REMARQUE

Lorsque vous appuyez sur **CD** pour allumer/éteindre l'afficheur clignotant, la fonction la LECTURE AVEC SAUT DES BLANCS est aussi activée/désactivée.

### Pour changer le niveau de luminosité de l'affichage

- 1 Appuyez sur **ECO** de manière que "ECO MODE" soit affiché.
- 2 Dans les quatre secondes, tournez **MULTI JOG** pour afficher "DIM MODE", puis appuyez sur **ENTER** dans les quatre secondes.
- 3 Dans les quatre secondes, tournez **MULTI JOG** pour sélectionner le mode de luminosité comme ci-dessous. Le mode est automatiquement réglé au bout de quatre secondes. Il est aussi réglé si on appuie sur **ENTER** dans les quatre secondes après l'étape 3.



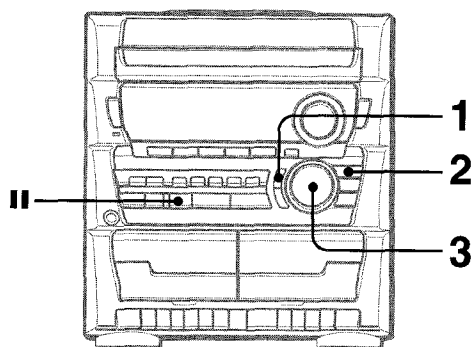
**DIM-OFF**: Affichage normal.

**DIMMER 1**: L'éclairage de l'affichage est plus sombre que d'habitude.

**DIMMER 2**: L'éclairage de l'affichage est plus sombre que dans le mode DIMMER 1.

**DIMMER 3**: L'éclairage de l'affichage est plus sombre que dans le mode DIMMER 2. L'analyseur de spectre, la fenêtre située au sommet de l'appareil et les témoins de touche s'éteignent.

## MISE EN SERVICE DU MODE ECONOMIE D'ENERGIE

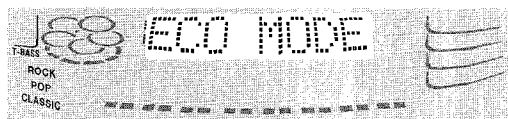


La mise de cet appareil en mode économie d'énergie diminue la consommation électrique comme suit.

- Quand l'appareil est hors tension, tous les indicateurs de l'affichage s'éteignent et seulement l'indicateur **STANDBY/ON** s'allume. Cependant, si l'horloge n'est pas réglée, la démonstration du jeu (page 8) commencera à la mise hors tension de l'appareil.
- S'il n'y a pas de lecture de disque compact ou de cassette pendant dix minutes ou s'il n'y a pas d'entrée audio venant de l'appareil externe connecté pendant dix minutes quand VIDEO/AUX ou PHONO est sélectionné comme source, l'appareil se met hors tension.
- La luminosité de l'affichage augmente seulement quand on utilise l'appareil. Si l'appareil n'est pas utilisé pendant dix secondes, le niveau de luminosité passe au mode précédemment sélectionné dans "DIM MODE". (Voir page 6) (Si le niveau de luminosité est réglé sur "DIM-OFF", la luminosité ne change pas. Quand le niveau est "DIMMER 3", les témoins de touche s'éteignent.)

### 1 Appuyez sur ECO.

"ECO MODE" est affiché.

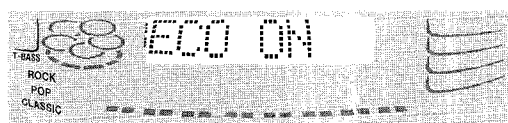


### 2 Appuyez sur ENTER dans les quatre secondes.

Le statut courant du mode économie d'énergie est affiché.  
Si le mode économie d'énergie est hors service: ECO OFF  
Si le mode économie d'énergie est en service: ECO ON

### 3 Tournez MULTI JOG dans les quatre secondes pour mettre le mode économie d'énergie en ou hors service.

Exemple: Quand "ON" est sélectionné



Le mode est automatiquement réglé au bout de quatre secondes. Il est aussi réglé si on appuie sur **ENTER** dans les quatre secondes après l'étape 3.

### Consommation en attente

Si el mode économie d'énergie est hors service: 19,3 W  
Si el mode économie d'énergie est en service: 1,7 W

### REMARQUE

Pour visualiser l'horloge quand tous les indicateurs de l'affichage sont éteints, appuyez sur **II**; l'heure est alors affichée pendant quatre secondes.

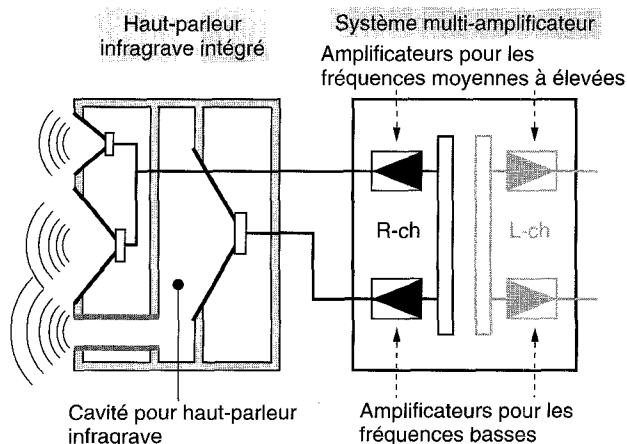
## SYSTEME MULTI-AMPLIFICATEUR A QUATRE CANAUX

Pour accentuer les fréquences basses, en plus de l'amplificateur à deux canaux gauche/droite utilisé pour reproduire les fréquences moyennes à élevées, ce système comprend un second amplificateur à deux canaux gauche/droite juste pour la reproduction des fréquences basses — ce qui donne un système à quatre amplificateurs. En utilisant des amplificateurs discrets pour les fréquences moyennes à élevées et les fréquences basses, une reproduction sonore de haute qualité qui est pratiquement exempte de distorsion peut être obtenue. Ce système multi-amplificateur, qui utilise des circuits indépendants pour les différentes gammes de fréquences, permet d'obtenir une superbe reproduction sonore exempte de distorsion.

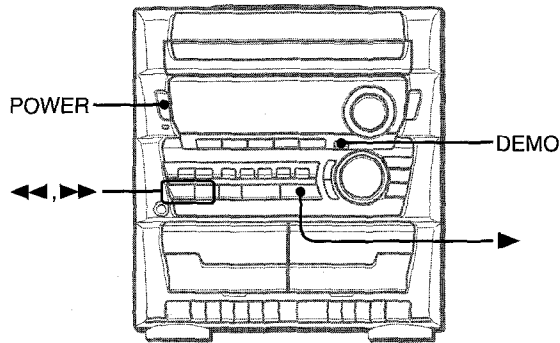
## SYSTEME A HAUT-PARLEUR INFRAGRAVE INTEGRE

Le système à haut-parleur infragrave intégré possède une cavité pour haut-parleur infragrave qui fait partie de la structure du coffret de l'enceinte et qui agit comme filtre sonore pour éliminer la distorsion. (Dans le système multi-amplificateur, les signaux de très basse fréquence émis par leur propre amplificateur sont reproduits dans cette cavité.) Cette construction séparée donne une définition claire et riche à la reproduction des basses tout en permettant des signaux de fréquences moyennes à élevées clairs et nets.

Le système AIWA à haut-parleur infragrave intégré comprend un haut-parleur infragrave donnant une reproduction puissante et claire des basses avec une vraie séparation stéréo.



## MODE DE DEMONSTRATION DE JEU



La première fois que le cordon secteur est branché à une prise de courant après l'achat, le jeu Demo démarre sur l'affichage. Quand on met l'appareil sous tension, le jeu Demo s'arrête. Quand on met l'appareil hors tension, le jeu Demo redémarre. Jusqu'à ce que l'horloge soit réglée, le jeu Demo démarre chaque fois que l'appareil est mis hors tension. Une fois que l'horloge est réglée, le jeu Demo ne démarre pas quand l'appareil est mis hors tension. (Voir "REGLAGE DE L'HEURE" à la page 18.)

### Pour démarrer ou arrêter le jeu Demo quand l'horloge est réglée

Appuyez sur **DEMO** quand l'appareil est hors tension; le jeu Demo démarre.  
Pour arrêter le jeu Demo, appuyez de nouveau sur **DEMO**.

### Pour jouer le jeu de démonstration

- 1 Appuyez sur **DEMO** de telle façon que le mode de démonstration de jeu soit affiché.
- 2 Appuyez sur **▶**.  
Trois numéros de l'afficheur commence à défiler.
- 3 Appuyez une fois sur **■**.  
Le nombre à gauche s'arrête.
- 4 Appuyez deux fois dur **■** pour arrêter les deux numéros restants.

#### Décompte des points:

20 points sont attribués au début de chaque partie.

Si tous les numéros sont les mêmes, 50 points sont ajoutés au score.

S'ils sont différents, un point est soustrait.

Si le total des points obtenus atteint 9999, vous gagnez.

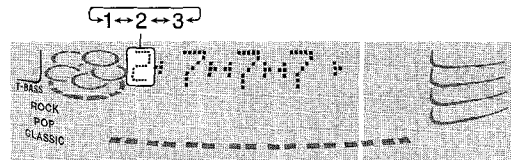
Si le total des points tombe à zéro, vous perdez.

### Pour réinitialiser le jeu

Appuyez deux fois sur **DEMO**, puis appuyez sur **▶**. Le jeu recommence.

### Pour changer la probabilité d'égalisation des trois chiffres

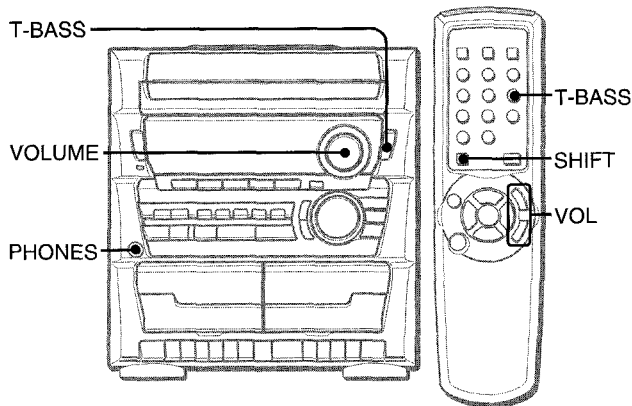
Appuyez sur **◀◀** ou **▶▶** à plusieurs reprises pour sélectionner un des trois niveaux de probabilité lors de l'utilisation du jeu Demo. L'indicateur de numéro de plateau affiché change entre 1 et 3. La probabilité d'égalisation augmente comme le numéro de plateau augmente de 1 à 3.



### REMARQUE

- Pendant la démonstration de jeu, **■**, **◀◀**, **▶▶** et **▶** sont opérationnelles uniquement pour la démonstration. Annulez le mode de démonstration afin de pouvoir utiliser ces touches pour d'autres fonctions telles que la lecture d'un CD, etc.
- Pendant la démonstration de jeu, certains indicateurs n'ayant pas de rapport avec le fonctionnement actuel s'allument sur l'afficheur.

## REGLAGES AUDIO



## CONTRÔLE DU VOLUME

Tournez la commande **VOLUME** de l'appareil principal ou appuyez sur **VOL**  $\wedge$  ou  $\vee$  de la télécommande.

Le niveau du volume est indiqué par un nombre de 0 à MAX (50).

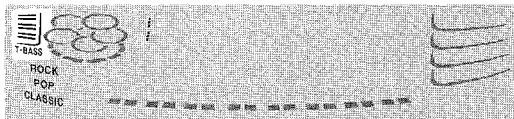
Le volume est automatiquement réglé sur 20 s'il avait été réglé sur 21 ou plus au moment de la mise hors tension de la chaîne.

## SYSTEME SUPER T-BASS

Le système T-BASS améliore le réalisme du son dans les basses fréquences.

**Appuyez sur T-BASS.**

A chaque pression sur cette touche, le niveau change. Sélectionnez un des trois niveaux, ou désactivez le système, selon vos préférences.



## Pour sélectionner avec la télécommande

Appuyez sur **T-BASS** tout en maintenant **SHIFT** enfoncée.

## REMARQUE

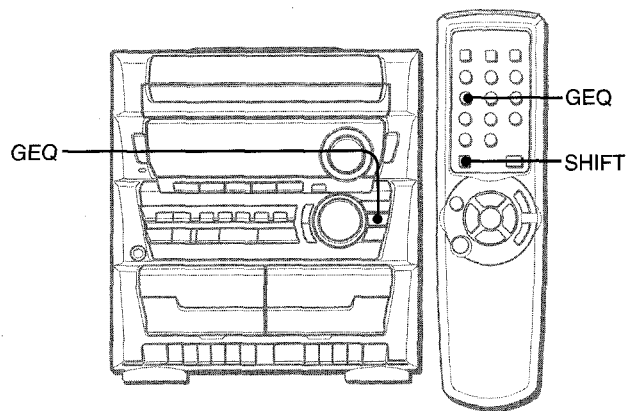
Le son dans les basses fréquences risque d'être déformé quand le système T-BASS est utilisé pour un disque ou une cassette dont les basses fréquences ont déjà été accentuées. Dans ce cas, désactivez le système T-BASS.

## Utilisation d'un casque

Branchez un casque muni d'une fiche stéréo standard (6,3 mm  $\varnothing$ ) sur la prise **PHONES**.

Aucun son n'est fourni par les enceintes quand un casque est branché.

## EGALISEUR GRAPHIQUE



Cet appareil propose les 3 courbes d'égalisation suivantes:

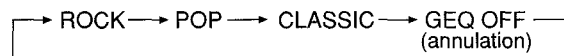
**ROCK:** Son puissant accentuant les aigus et les graves

**POP:** Présence renforcée des voix et des médiums

**CLASSIC:** Son enrichi avec graves lourds et aigus fins

**Appuyez de façon répétée sur GEQ pour sélectionner le mode d'égalisation.**

Les modes GEQ sont affichés l'un après l'autre dans l'ordre suivant.



Le mode d'égalisation sélectionné est affiché.



## Pour annuler le mode sélectionné

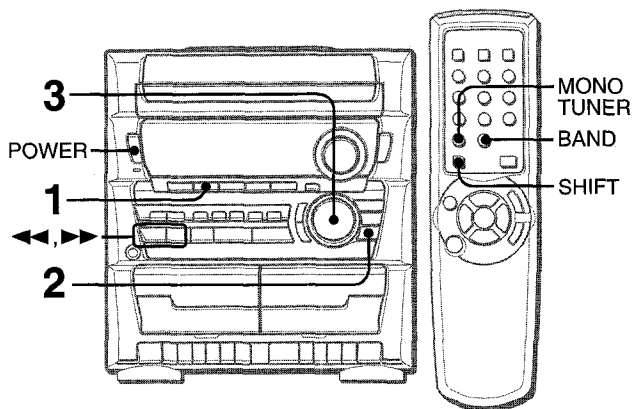
Appuyez de façon répétée sur **GEQ** jusqu'à ce que "GEQ OFF" soit affiché.

## Pour sélectionner avec la télécommande

Appuyez de façon répétée sur **GEQ** tout en maintenant **SHIFT** enfoncée.

\* Vous pouvez aussi utiliser **MULTI JOG** pour changer le mode d'égalisation.

# ACCORD MANUEL



### 1 Appuyez sur TUNER/BAND pour sélectionner la gamme FM ou AM.

La radio peut être allumée directement quand la chaîne est hors tension par une simple pression sur TUNER/BAND (mise en service directe).

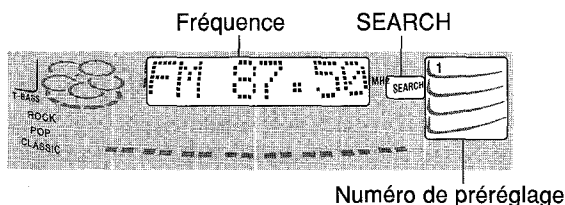
#### Pour sélectionner une gamme avec la télécommande

Appuyez de façon répétée sur BAND tout en maintenant SHIFT enfoncée.

### 2 Appuyez de façon répétée sur TUNER PRESET pour sélectionner le mode d'accord manuel.

A chaque pression sur cette touche, les trois modes suivants sont sélectionnés l'un après l'autre dans l'ordre.

- ① **Mode d'accord de stations pré-réglées:** Le numéro de pré-réglage clignote.
- ② **Mode de recherche automatique:** "SEARCH" est affiché.
- ③ **Mode d'accord manuel:** "SEARCH" n'apparaît pas et le numéro de pré-réglage ne clignote pas.



#### REMARQUE

Le mode d'accord de stations pré-réglées est omis si aucune station n'a été pré-réglée.

### 3 Tournez la molette MULTI JOG dans le sens des aiguilles d'une montre ou dans le sens inverse pour accorder une station.

La fréquence change quand la molette MULTI JOG est tournée. Quand une station est reçue, "TUNE" est affiché pendant 2 secondes.

Pendant la réception d'une station FM stéréo, ((Ⓜ)) est affiché.

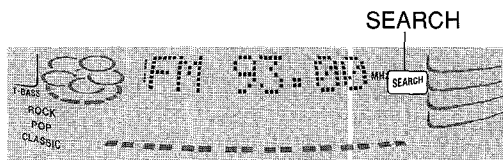


- Les touches ◀◀DOWN et ▶▶UP peuvent aussi être utilisées pour accorder une station.

### Pour rechercher rapidement une station (Recherche automatique)

Appuyez de façon répétée sur TUNER PRESET pour afficher "SEARCH" (mode de recherche automatique), et tournez la molette MULTI JOG dans le sens des aiguilles d'une montre ou dans le sens inverse jusqu'à ce que la fréquence affichée commence à changer rapidement.

Quand une station est accordée, la recherche s'arrête.



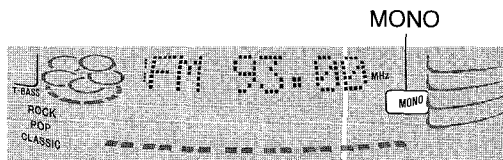
Pour arrêter la recherche automatique manuellement, tournez la molette MULTI JOG un peu dans l'autre sens.

- La recherche automatique peut ne pas s'arrêter sur les stations dont les signaux sont très faibles.
- ◀◀DOWN et ▶▶UP peuvent aussi être utilisées pour accorder une station. Appuyez en continu sur ◀◀DOWN ou ▶▶UP jusqu'à ce que la recherche commence. Appuyez à nouveau sur la touche pour arrêter la recherche manuellement.

### Quand une émission FM stéréo contient des parasites

Appuyez sur MONO TUNER de la télécommande tout en maintenant SHIFT enfoncée de telle façon que "MONO" soit affiché.

Les parasites sont réduits, mais la réception est monophonique.



Pour rétablir la réception stéréophonique, appuyez sur MONO TUNER de la télécommande tout en maintenant SHIFT enfoncée de telle façon que "MONO" disparaisse.

### Pour changer l'intervalle d'accord AM

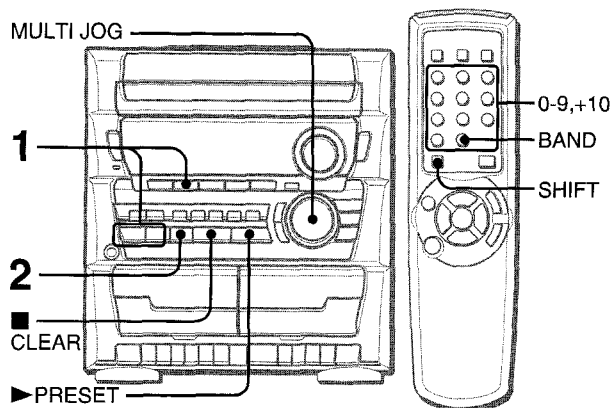
Le réglage par défaut de l'intervalle d'accord AM est de 10 kHz/pas. Si vous utilisez l'appareil dans une région où le système d'allocation de fréquences est de 9 kHz/pas, changez l'intervalle. Appuyez sur POWER tout en maintenant ▶ de l'appareil enfoncée.

Pour rétablir l'intervalle initial, répétez cette procédure.

#### REMARQUE

Quand vous changez l'intervalle d'accord AM, toutes les stations pré-réglées sont effacées. Les stations doivent être enregistrées de nouveau comme stations pré-réglées.

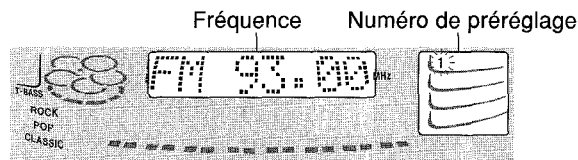
## PREREGLAGE DE STATIONS



L'appareil peut stocker un total de 32 stations préréglées. Quand une station est enregistrée, un numéro de préréglage est affecté à chaque station. Utilisez le numéro de préréglage pour accorder directement une station préréglée.

**1 Appuyez sur TUNER/BAND pour sélectionner une gamme, puis sur ◀◀ DOWN ou ▶▶ UP pour sélectionner une station.**

**2 Appuyez sur ■ SET pour enregistrer la station.** Un numéro de préréglage est affecté à chaque station, à partir de 1 dans l'ordre consécutif pour chaque gamme.



**3 Répétez les étapes 1 et 2.**

La station suivante ne sera pas enregistrée si 32 stations ont déjà été stockées.

## REMARQUE

"FULL" est affiché si on tente de mémoriser plus de 32 stations.

## ACCORD PAR NUMERO DE PREREGLAGE

Utilisez la télécommande pour sélectionner directement le numéro de préréglage.

**1 Appuyez sur BAND tout en maintenant SHIFT enfoncée pour sélectionner une gamme.**

**2 Appuyez sur les touches numériques 0 à 9 et +10 pour sélectionner un numéro de préréglage.**

Exemple:

Pour sélectionner le numéro de préréglage 20, appuyez sur +10, +10 et 0.

Pour sélectionner le numéro de préréglage 15, appuyez sur +10 et 5.

## Sélection d'un numéro de préréglage sur l'appareil principal

Appuyez sur **TUNER/BAND** pour sélectionner une gamme. Appuyez à plusieurs reprises sur **TUNER PRESET** jusqu'à ce que le numéro de préréglage clignote (mode d'accord de station préréglée), et tournez la molette **MULTI JOG**. Les numéros de préréglage sont sélectionnés dans l'ordre pendant que vous tournez **MULTI JOG**.

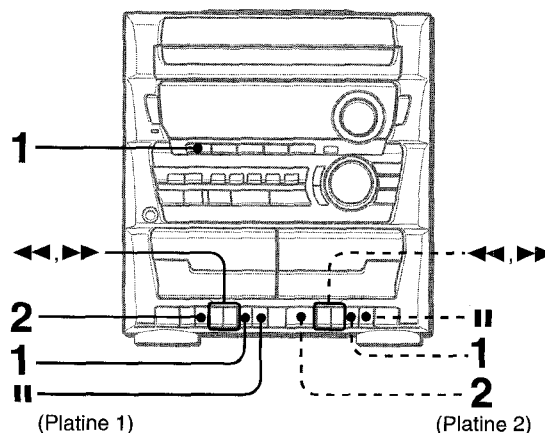
• ▶ **PRESET** peut aussi être utilisée pour sélectionner le numéro de préréglage. A chaque pression sur la touche, le numéro suivant est sélectionné.

## Pour effacer une station préréglée

Sélectionnez le numéro de préréglage de la station à effacer avec les touches numériques. Puis, appuyez sur ■ **CLEAR**, et sur ■ **SET** dans les 4 secondes qui suivent.

Les numéros de préréglage de toutes les stations suivantes de la gamme diminuent d'une unité.

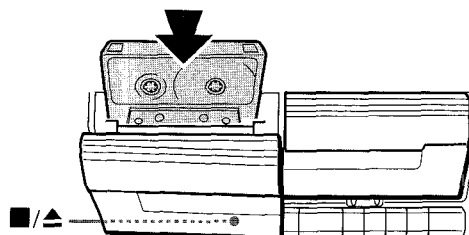
## OPERATIONS DE BASE



## Cassettes utilisables

Utilisez des cassettes de Type I (normal) seulement.

**1 Appuyez sur TAPE puis sur ■/▲ pour ouvrir le porte-cassette.**



Insérez une cassette avec le côté exposé du ruban magnétique en bas. Appuyez sur le porte-cassette pour le fermer.

**2 Appuyez sur ▶ pour commencer la lecture.**

Seule la face tournée vers l'extérieur de l'appareil peut être reproduite.

**Pour arrêter la lecture, appuyez sur ■/▲.**

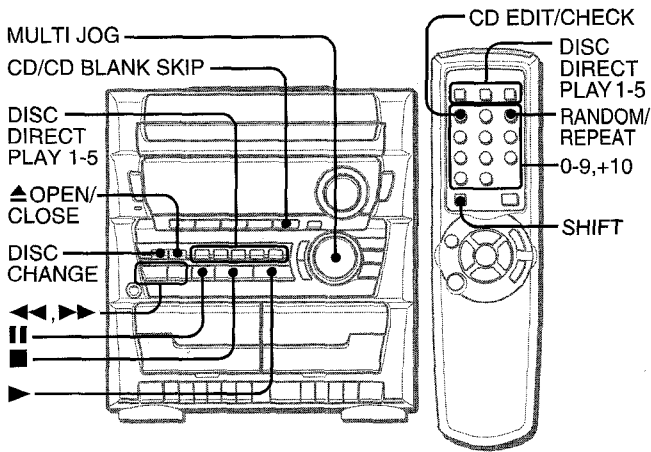
**Pour interrompre la lecture, appuyez sur ■■.** Pour continuer la lecture, appuyez de nouveau sur cette touche.

**Pour avancer rapidement ou rembobiner la bande, appuyez sur ◀◀ ou ▶▶ en mode d'arrêt.** Puis, appuyez sur ■/▲ pour arrêter le défilement de la bande.

**Si les platines 1 et 2 sont réglées toutes les deux sur le mode de lecture**

Vous entendrez le son de la platine 2.

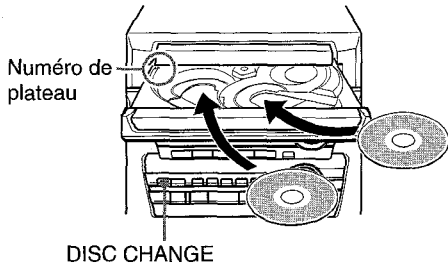
**OPERATIONS DE BASE**



**CHARGEMENT DES DISQUES**

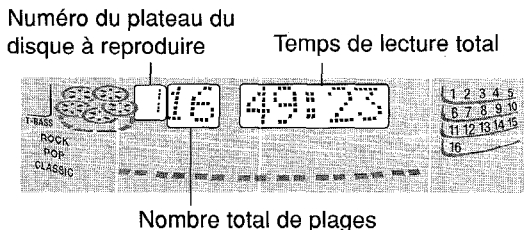
Appuyez sur **CD**, puis sur **▲ OPEN/CLOSE** pour ouvrir le tiroir. Mettez le(s) disque(s) en place avec l'étiquette tournée vers le haut.

Pour charger un ou deux disques, posez le(s) disque(s) sur le(s) plateau(x) dans le sens indiqué par les flèches sur l'illustration.



Pour charger de trois à cinq disques, appuyez sur **DISC CHANGE** pour faire tourner les plateaux après avoir posé deux disques. Posez le disque suivant sur le plateau vide. A chaque pression sur **DISC CHANGE**, les plateaux tournent et un nouveau disque peut être mis en place.

Après avoir mis les disques en place, appuyez sur **▲ OPEN/CLOSE** pour refermer le tiroir à disques. Les informations concernant le disque qui va être reproduit sont affichées.



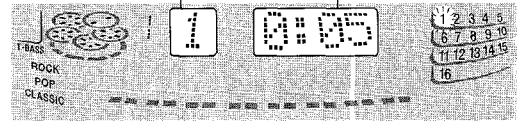
**LECTURE DE DISQUES**

Chargez les disques.

Pour écouter tous les disques en place dans le tiroir, appuyez sur **▶**.

La lecture commence avec le disque du plateau 1.

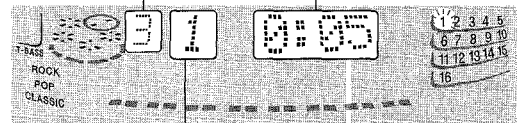
Numéro de la page reproduite Temps de lecture écoulé



Pour écouter un disque seulement, appuyez sur une des touches **DISC DIRECT PLAY 1 à 5**.

Le disque sélectionné est reproduit une fois.

Numéro du plateau de disque sélectionné Temps de lecture écoulé



Numéro de la page en cours de lecture

Pour arrêter la lecture, appuyez sur **■**.

Pour interrompre la lecture, appuyez sur **⏏**. Pour continuer la lecture, appuyez de nouveau sur cette touche.

Pour rechercher un point particulier pendant la lecture, maintenez **◀▶** enfoncée jusqu'à ce que le point souhaité soit atteint et relâchez la touche.

Pour passer au début d'une plage pendant la lecture, tournez la molette **MULTI JOG** ou appuyez à plusieurs reprises sur **◀◀** ou **▶▶**.

Pour enlever des disques, appuyez sur **▲ OPEN/CLOSE**. Seuls les deux disques tournés vers vous peuvent être enlevés. Si le(s) disque(s) qui doivent être remplacés ne sont pas tournés vers vous, appuyez à plusieurs reprises sur **DISC CHANGE**.

Pour commencer la lecture quand la chaîne est hors tension (fonction de lecture directe)

Appuyez sur **CD**. L'appareil est mis sous tension et la lecture du ou des disque(s) en place commence.

Quand vous appuyez sur **▲ OPEN/CLOSE**, la chaîne est aussi mise sous tension et le tiroir à disques s'ouvre.

Pour vérifier le temps restant

Appuyez sur **CD EDIT/CHECK** de la télécommande pendant la lecture, tout en maintenant **SHIFT** enfoncée. Le temps restant jusqu'à ce que toutes les plages soient lues est affiché. Pour revenir à l'affichage du temps de lecture, répétez l'opération précédente.

Sélection d'une plage avec la télécommande

1 Appuyez sur une des touches **DISC DIRECT PLAY 1 à 5** pour sélectionner un disque.

Pour sélectionner le disque 4 ou 5, appuyez sur **DISC DIRECT PLAY 4** ou **5** tout en maintenant **SHIFT** enfoncée.

2 Appuyez sur les touches numériques **0 à 9** et **+10** pour sélectionner une plage.

Exemple:

Pour sélectionner la 25e plage, appuyez sur les touches **+10, +10 et 5**.

Pour sélectionner la 10e plage, appuyez sur les touches **+10 et 0**.

La lecture commence par la plage sélectionnée et continue jusqu'à la fin du disque.

Changement de disques pendant la lecture

Pendant qu'un disque est en cours de lecture, les autres disques peuvent être remplacés sans interruption de la lecture.

1 Appuyez sur **DISC CHANGE**.

Deux disques peuvent être remplacés.

2 Enlevez les disques et remplacez-les par d'autres.

Pour remplacer les deux autres disques, appuyez de nouveau sur **DISC CHANGE**.

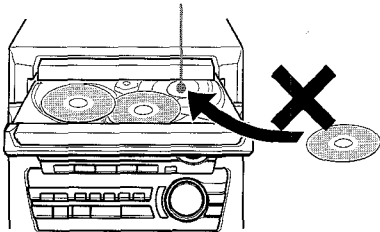
3 Appuyez sur **▲ OPEN/CLOSE** pour refermer le tiroir.



**REMARQUE**

- Quand vous chargez un disque de 8 cm (3 pouces), veillez à le poser précisément dans le cercle intérieur du plateau. Sinon, le disque risque d'être endommagé et le tiroir ne pourra pas se refermer. Si le tiroir ne s'ouvre pas, veuillez vous adresser à votre revendeur Aiwa pour toute réparation.
- Ne pas poser plus d'un disque compact sur un plateau.
- Ne pas incliner l'appareil quand des disques sont en place. Un dysfonctionnement peut s'ensuivre.
- Avant de transporter l'appareil, enlevez les disques.
- Quand des disques sont remplacés pendant la lecture, veillez à remplacer seulement ceux qui sont tournés vers vous. Si vous posez un disque sur le plateau vide de droite, puis appuyez sur **▲ OPEN/CLOSE**, "ERROR" sera affiché et le compartiment de disques ne se refermera pas. Enlevez le disque de ce plateau.
- Ne pas utiliser des disques compacts de forme irrégulière (par ex. disques en forme de cœur ou octogonaux). Cela pourrait provoquer des pannes.

Ne jamais placer  
de disque ici.

**LECTURE ALEATOIRE/REPETEE**

Utilisez la télécommande.

**Lecture aléatoire (RANDOM)**

Toutes les plages du disque sélectionné ou de tous les disques peuvent être lues dans un ordre aléatoire.


**Lecture répétée (REPEAT)**


Un seul disque ou tous les disques peuvent être lus à plusieurs reprises.

**Appuyez sur RANDOM/REPEAT tout en maintenant SHIFT enfoncée.**

A chaque pression sur cette touche, les fonctions peuvent être sélectionnées l'une après l'autre.

**Lecture aléatoire** — RANDOM s'allume sur l'afficheur.

**Lecture répétée** —  s'allume sur l'afficheur.

**Lecture aléatoire/répétée** — RANDOM et  s'allument sur l'afficheur.

**Annulation** — RANDOM et  disparaissent de l'afficheur.

**Pour écouter tous les disques,** appuyez sur **▶** pour commencer la lecture.

**Pour écouter un seul disque,** appuyez sur une des touches **DISC DIRECT PLAY 1 à 5** pour commencer la lecture.

Pour sélectionner le disque 4 ou 5 avec la télécommande, appuyez sur **DISC DIRECT PLAY 4** ou **5** tout en maintenant **SHIFT** enfoncée.

**REMARQUE**

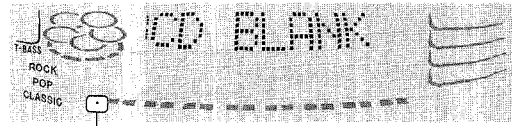
Pendant la lecture aléatoire, il est impossible de revenir au début de la plage précédente avec la touche **◀◀**.

**LECTURE AVEC SAUT DES BLANCS**

Les parties vierges se trouvant entre les plages enregistrées sur un disque compact peuvent être sautées pendant la lecture.

**1 Appuyez sur CD/CD BLANK SKIP de l'appareil principal.**

"CD BLANK SKIP ON" est affiché et un petit point apparaît sur l'affichage.



Petit point

**2 Appuyez sur ▶ pour démarrer la lecture.**

Les parties vierges se trouvant entre les plages sont sautées, et le son est lu sans interruption. Si le son d'une plage s'affaiblit (si la plage se termine avec une diminution progressive du niveau sonore), la partie de l'affaiblissement est aussi sautée.

**Pour revenir à la lecture normale**

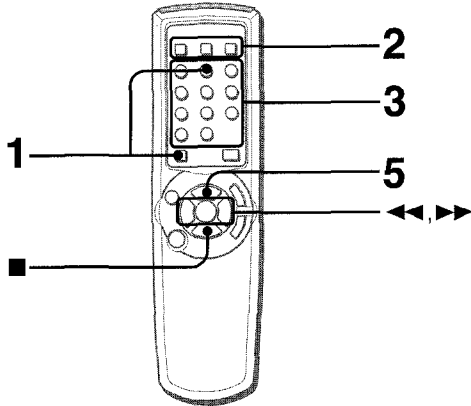
Appuyez de nouveau sur **CD/CD BLANK SKIP**. "CD BLANK SKIP OFF" est affiché le petit point disparaît de l'affichage.

**REMARQUE**

- Il peut y avoir des cas où la LECTURE AVEC SAUT DES BLANCS ne fonctionne pas correctement.
- La LECTURE AVEC SAUT DES BLANCS est automatiquement annulée lors de l'ENREGISTREMENT AVEC MONTAGE ET CALCUL DU TEMPS (voir page 16), lors de l'ENREGISTREMENT AVEC MONTAGE PROGRAMME (voir page 17) ou lors de l'enregistrement pendant la LECTURE PROGRAMMEE (voir page 14) ou la LECTURE ALEATOIRE (voir page 13).
- Lorsque vous appuyez sur **CD/CD BLANK SKIP** pour allumer/éteindre l'afficheur clignotant, la fonction la LECTURE AVEC SAUT DES BLANCS est aussi activée/désactivée.

## LECTURE PROGRAMMÉE

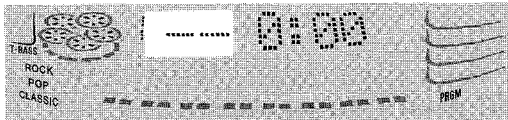
Il est possible de programmer jusqu'à 30 plages d'un des disques insérés.



Utilisez la télécommande.

### 1 Appuyez sur PRGM en mode d'arrêt tout en maintenant SHIFT enfoncée.

"- -" apparaît sur l'afficheur.



### 2 Appuyez sur une des touches DISC DIRECT PLAY 1 à 5 pour sélectionner un disque.

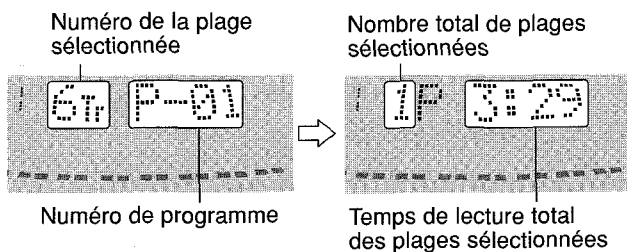
Pour sélectionner le disque 4 ou 5, appuyez sur DISC DIRECT PLAY 4 ou 5 tout en maintenant SHIFT enfoncée. Passez à l'étape suivante quand le plateau cesse de tourner.

### 3 Appuyez sur les touches numériques 0 à 9 et +10 pour programmer une plage.

Exemple:

Pour sélectionner la 25e plage, appuyez sur les touches +10, +10 et 5.

Pour sélectionner la 10e plage, appuyez sur les touches +10 et 0.



### 4 Répétez les étapes 2 et 3 pour programmer d'autres plages.

### 5 Appuyez sur ► pour commencer la lecture.

#### Pour vérifier le programme

A chaque pression sur ◀◀ ou ▶▶ en mode d'arrêt, un numéro de disque, un numéro de plage et un numéro de programme sont affichés.

#### Pour effacer le programme

Appuyez sur ■ CLEAR en mode d'arrêt.

#### Pour ajouter des plages au programme

Répétez les étapes 2 et 3 en mode d'arrêt. La plage est programmée après dernière plage.

#### Pour changer les plages programmées

Effacez le programme puis répétez toutes les étapes.

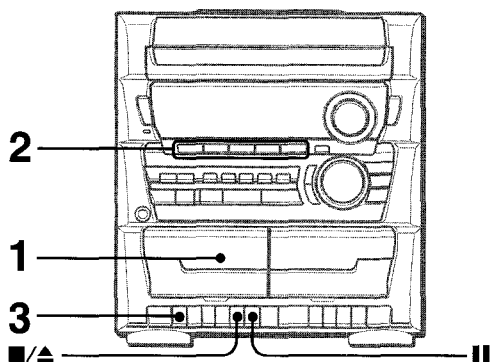
#### Pour écouter les plages programmées à plusieurs reprises

Après avoir programmé les plages, appuyez de façon répétée sur RANDOM/REPEAT tout en maintenant SHIFT enfoncée jusqu'à ce que ↻ apparaisse sur l'afficheur.

#### REMARQUE

- Pendant la lecture programmée, vous ne pouvez pas utiliser le mode de lecture aléatoire, vérifier le temps restant ou sélectionner un disque ou une plage.
- "FULL" est affiché si on tente de programmer plus de 30 plages.

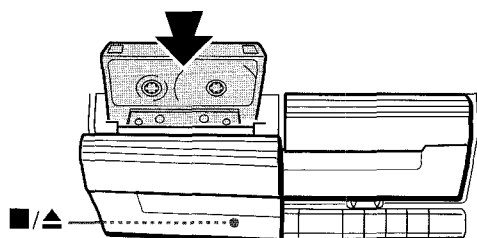
ENREGISTREMENT DE BASE



Préparatifs

- Utilisez des cassettes de Type I (normal) seulement.
- Avancez la bande jusqu'au point où l'enregistrement doit commencer.
- Notez bien que l'enregistrement sera effectué sur une face de la cassette seulement.

**1 Insérez la cassette à enregistrer dans la platine 1.**  
 Insérez la cassette avec la face à enregistrer en premier tournée vers l'extérieur de l'appareil.



**2 Appuyez sur une des touches de fonction et préparez la source à enregistrer.**

**Pour enregistrer à partir d'un CD,** appuyez sur **CD** et mettez le(s) disque(s) en place.

**Pour enregistrer à partir d'une cassette,** appuyez sur **TAPE**. Puis, introduisez la cassette originale dans la platine 2 et reproduisez-la.

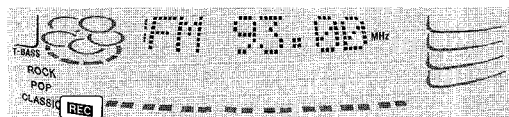
**Pour enregistrer une émission de radio,** appuyez sur **TUNER/BAND** et accordez une station.

**Pour enregistrer à partir de la source raccordée,** appuyez sur **PHONO** ou **VIDEO/AUX** et commencez la reproduction de la source.

**3 Appuyez sur ● de la platine 1 pour commencer l'enregistrement.**

► est enclenchée en même temps.

Quand la fonction sélectionnée est CD, la lecture et l'enregistrement commencent simultanément.



**Pour arrêter l'enregistrement,** appuyez sur ■/▲ de la platine 1.

**Pour interrompre l'enregistrement,** appuyez sur || de la platine 1.

**Pour continuer l'enregistrement,** appuyez de nouveau sur cette touche.

**Pour enregistrer les plages sélectionnées d'un CD**

Avant d'appuyer sur ●, programmez les pages (Voir la page 14).

**Pour enregistrer un passage d'un CD**

Quand vous appuyez sur ●, l'enregistrement commence toujours à partir du début de la première plage. Pour commencer au milieu d'une plage, reproduisez d'abord le CD et appuyez sur **IISET** pour le CD au point où vous souhaitez commencer l'enregistrement. Puis, appuyez sur ●. Le mode de pause pour la touche CD est désactivé automatiquement et l'enregistrement commence.

**Réglage du son pendant l'enregistrement**

Le volume de sortie et le timbre des enceintes ou du casque peuvent être réglés sans affecter l'enregistrement.

**REMARQUE**

- Ne pas appuyer sur les touches de la platine 2 pendant l'enregistrement.
- Vous ne pourrez pas appuyer sur ● si l'ergot de sécurité d'une face ou de l'autre de la cassette a été brisé.

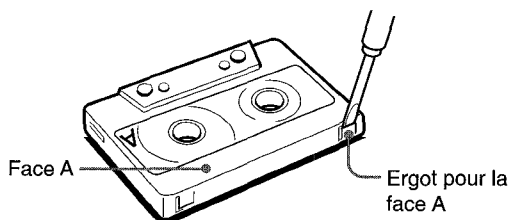
**Pour effacer un enregistrement**

Un enregistrement effectué précédemment est effacé quand vous enregistrez à nouveau sur cette même partie de la bande.

- 1 Insérez la cassette à effacer dans la platine 1.
- 2 Appuyez sur **TAPE** et arrêtez toutes les opérations de la platine 2.
- 3 Avancez la bande jusqu'au point où l'effacement doit commencer.
- 4 Appuyez sur ● de la platine 1 pour commencer l'effacement.

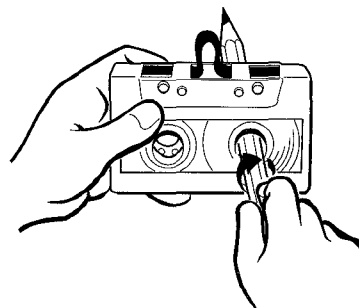
**Au sujet des cassettes**

- **Pour éviter un effacement accidentel,** utilisez un tournevis ou tout autre objet pointu pour briser les ergots en plastique de la cassette après l'enregistrement.

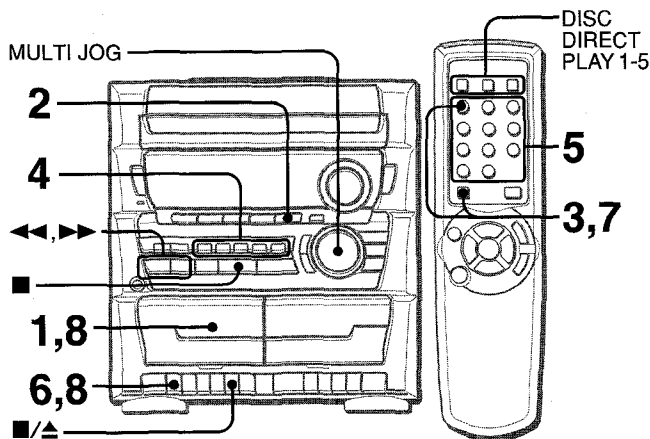


Pour réenregistrer une cassette, couvrez les cavités des ergots avec du ruban adhésif, etc.

- **La bande des cassettes de 120 minutes ou plus** est extrêmement fine et peut se déformer ou être endommagée facilement. L'utilisation de ce type de cassette est déconseillé.
- **Tendez la bande** avec un crayon ou un objet similaire avant d'utiliser une cassette. Une bande détendue peut se rompre ou s'emmêler dans le mécanisme.



# ENREGISTREMENT AVEC MONTAGE ET CALCUL DU TEMPS



La fonction d'enregistrement avec montage et calcul du temps (AI edit recording) permet d'enregistrer des CD sans se préoccuper de la durée de la cassette et des plages. Quand un CD est inséré, l'appareil calcule automatiquement la durée totale des plages. Si nécessaire, l'ordre des plages est changé de manière à ce qu'aucune plage ne soit tronquée. (AI: Intelligence Artificielle)

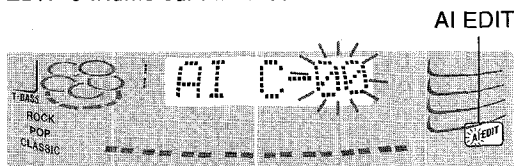
## 1 Insérez la cassette dans la platine 1.

Insérez la cassette avec la face à enregistrer en premier tournée vers l'extérieur de l'appareil, et rembobinez la cassette avec ◀◀.

## 2 Appuyez sur CD et mettez le(s) disque(s) en place.

## 3 Appuyez une fois sur CD EDIT/CHECK de la télécommande tout en maintenant SHIFT enfoncée.

"AI EDIT" s'allume sur l'afficheur.



• Quand "PRGM" est affiché, appuyez de nouveau sur CD EDIT/CHECK en maintenant SHIFT enfoncée.

## 4 Appuyez sur une des touches DISC DIRECT PLAY 1 à 5 pour sélectionner un disque.

Pour sélectionner le disque 4 ou 5 avec la télécommande, appuyez sur DISC DIRECT PLAY 4 ou 5 tout en maintenant SHIFT enfoncée.

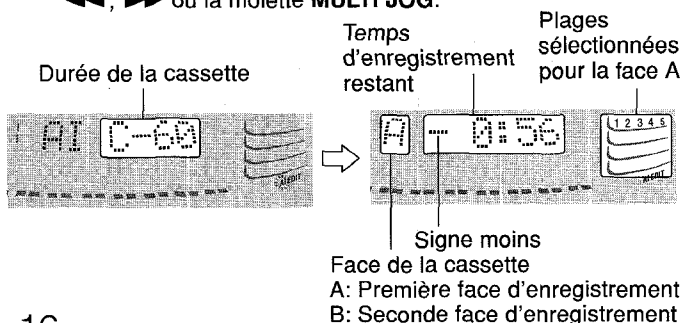
## 5 Appuyez sur les touches numériques 0 à 9 de la télécommande pour spécifier la durée de la cassette.

Vous pouvez spécifier une durée de 10 à 99 minutes.

Exemple: Pour utiliser une cassette de 60 minutes, appuyez sur 6 et 0.

En quelques secondes, les plages à enregistrer sur chaque face de la cassette sont déterminées.

• Vous pouvez aussi déterminer la durée de la cassette avec ◀◀, ▶▶ ou la molette MULTI JOG.



## 6 Appuyez sur ● de la platine 1 pour commencer l'enregistrement sur la première face.

REC clignote pendant dix secondes, puis la lecture du CD et l'enregistrement des plages programmées pour la première face commencent simultanément. Lorsque la cassette arrive en fin de bande, la platine 1 entre en mode d'arrêt d'enregistrement. Après l'entrée en mode d'enregistrement, passez à l'étape 7.

## 7 Appuyez sur CD EDIT/CHECK de la télécommande tout en maintenant SHIFT enfoncée pour afficher le programme pour la seconde partie de l'enregistrement.

"B" est affiché.

## 8 Retournez la cassette de la platine 1 et appuyez sur ● pour commencer l'enregistrement sur la deuxième face.

### Pour arrêter l'enregistrement

Appuyez sur ■/▲ de la platine 1.

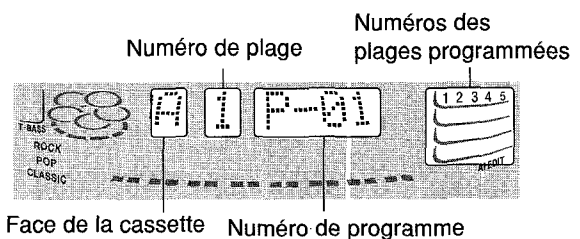
L'enregistrement de la cassette et la lecture du CD s'arrêtent simultanément.

### Pour effacer le programme

Appuyez deux fois sur ■CLEAR en mode d'arrêt de telle façon que "EDIT" disparaisse de l'afficheur, ou appuyez sur ▲OPEN/CLOSE.

### Pour vérifier l'ordre des numéros des plages programmées

Avant l'enregistrement, appuyez sur CD EDIT/CHECK de la télécommande tout en maintenant SHIFT enfoncée pour sélectionner la face A ou B, puis appuyez à plusieurs reprises sur ◀◀ ou ▶▶ ou tournez la molette MULTI JOG.



### Pour ajouter des plages d'autres disques au programme

Si la cassette n'est pas pleine après l'étape 5, vous pourrez ajouter des plages des autres disques du tiroir à disques.

#### 1 Appuyez sur CD EDIT/CHECK de la télécommande tout en maintenant SHIFT enfoncée pour sélectionner la face A ou B.

#### 2 Appuyez sur une des touches DISC DIRECT PLAY 1 à 5 pour sélectionner un disque.

Pour sélectionner le disque 4 ou 5 avec la télécommande, appuyez sur DISC DIRECT PLAY 4 ou 5 tout en maintenant SHIFT enfoncée.

#### 3 Appuyez sur les touches numériques de la télécommande pour sélectionner les plages.

Une plage dont la durée de lecture est supérieure au temps restant ne peut pas être programmée.

#### 4 Pour ajouter d'autres plages, répétez les étapes 2 et 3.

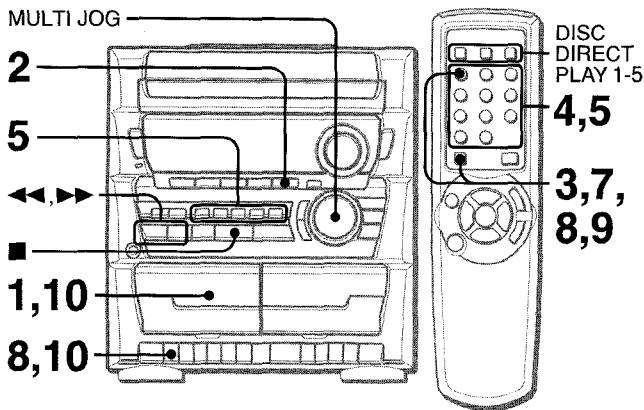
### Durée des cassettes et temps de montage

La durée d'une cassette est généralement supérieure à celle indiquée sur l'étiquette. Cet appareil peut programmer des plages pour utiliser le temps en excès. Quand la durée totale d'enregistrement est légèrement supérieure à la durée spécifiée pour la cassette après le montage, l'afficheur indique le temps en excès (sans signe moins) au lieu du temps restant (avec le signe moins).

### REMARQUE

La fonction de montage avec calcul du temps ne peut pas être utilisée avec les disques contenant 31 plages ou plus. "TR OVER" est affiché si un tel disque est utilisé.

# ENREGISTREMENT AVEC MONTAGE PROGRAMME



En mode d'enregistrement avec montage programmé, vous pouvez programmer les plages tout en contrôlant le temps restant sur chaque face de la cassette au fur et à mesure de la programmation des plages.

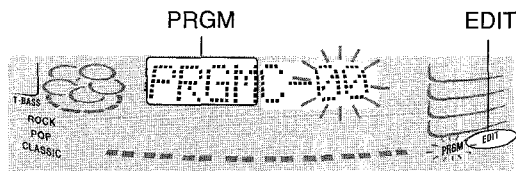
## 1 Insérez la cassette dans la platine 1.

Insérez la cassette avec la face à enregistrer en premier tournée vers l'extérieur de l'appareil, et rembobinez la cassette avec ◀◀.

## 2 Appuyez sur CD et mettez le(s) disque(s) en place.

## 3 Appuyez deux fois sur CD EDIT/CHECK de la télécommande tout en maintenant SHIFT enfoncée.

"EDIT" et "PRGM" s'allument sur l'afficheur.

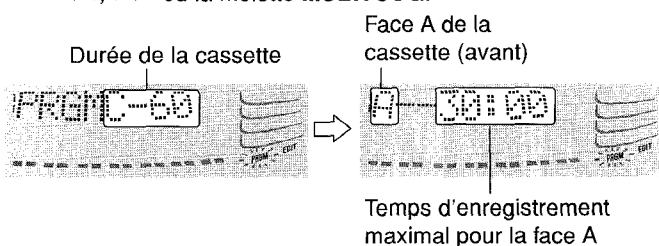


• Quand "AI" est affiché, appuyez de nouveau sur CD EDIT/CHECK tout en maintenant SHIFT enfoncée.

## 4 Appuyez sur les touches numériques de la télécommande pour spécifier la durée de la cassette.

Vous pouvez spécifier une durée de 10 à 99 minutes.

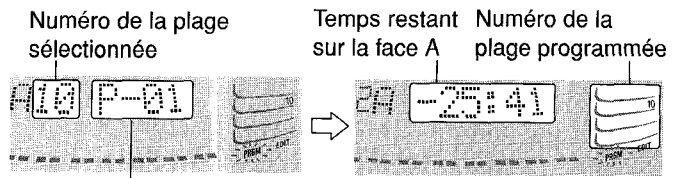
• Vous pouvez aussi déterminer la durée de la cassette avec ◀◀, ▶▶ ou la molette MULTI JOG.



## 5 Appuyez sur une des touches DISC DIRECT PLAY 1 à 5 pour sélectionner un disque. Puis, appuyez sur les touches numériques 0 à 9 et +10 de la télécommande pour programmer une plage.

Pour sélectionner le disque 4 ou 5 avec la télécommande, appuyez sur DISC DIRECT PLAY 4 ou 5 tout en maintenant SHIFT enfoncée.

Exemple: Pour sélectionner la 10e plage du disque 2, appuyez sur DISC DIRECT PLAY 2, puis sur +10 et 0.



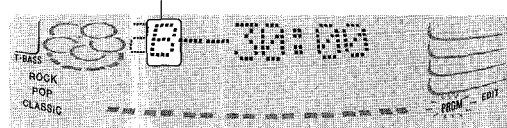
Numéro de programme

## 6 Répétez l'étape 5 pour le reste des plages de la face A.

Une plage dont la durée de lecture est supérieure au temps restant ne peut pas être programmée.

## 7 Appuyez sur CD EDIT/CHECK de la télécommande tout en maintenant SHIFT enfoncée pour sélectionner la face B, puis programmez les plages pour cette face.

Face B de la cassette (face arrière)



## 8 Appuyez sur CD EDIT/CHECK tout en maintenant SHIFT enfoncée pour sélectionner la face A et appuyez sur ● de la platine 1.

REC clignote pendant dix secondes, puis la lecture du CD et l'enregistrement des plages programmées pour la première face commencent simultanément. Lorsque la cassette arrive en fin de bande, la platine 1 entre en mode d'arrêt d'enregistrement. Après l'entrée en mode d'enregistrement, passez à l'étape 9.

## 9 Appuyez sur CD EDIT/CHECK de la télécommande tout en maintenant SHIFT enfoncée pour commencer l'enregistrement sur la deuxième face.

"B" est affiché.

## 10 Retournez la cassette de la platine 1 et appuyez sur ● pour commencer l'enregistrement.

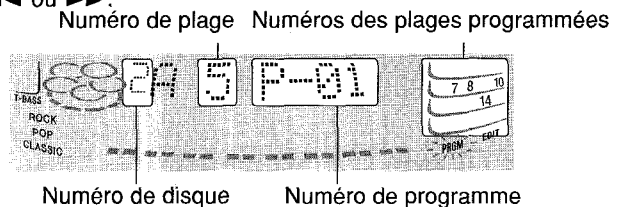
L'enregistrement commence.

### Pour arrêter l'enregistrement

Appuyez sur ■/▲ de la platine 1. L'enregistrement de la cassette et la lecture du CD s'arrêtent simultanément.

### Pour vérifier l'ordre des numéros des plages programmées

Avant l'enregistrement, appuyez sur CD EDIT/CHECK de la télécommande tout en maintenant SHIFT enfoncée pour sélectionner la face A ou B, puis appuyez à plusieurs reprises sur ◀◀ ou ▶▶.



### Pour changer le programme de chaque face

Appuyez sur CD EDIT/CHECK de la télécommande tout en maintenant SHIFT enfoncée pour sélectionner la face A ou B, et sur ■ CLEAR pour effacer le programme de la face sélectionnée. Puis, programmez à nouveau les plages.

### Pour effacer le programme

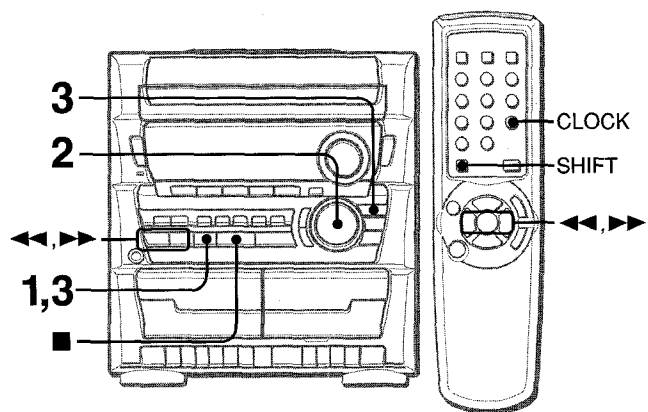
Appuyez deux fois sur ■ CLEAR en mode d'arrêt de telle façon que "EDIT" disparaisse de l'afficheur.

### REMARQUE

- Si l'ergot de sécurité d'une face ou l'autre de la cassette a été brisé, l'enregistrement ne s'effectue pas.
- Il est possible de programmer jusqu'à 30 plages d'un des disques insérés.
- "FULL" est affiché si on tente de programmer plus de 30 plages.



**REGLAGE DE L'HEURE**



Lorsque l'horloge est réglée, le signe ":" entre les heures et les minutes clignote. Quand le réglage de l'horloge est annulé du fait d'une interruption d'alimentation, la totalité de l'affichage de l'horloge clignote.

**1 Appuyez sur ■.**

Quand on utilise la télécommande, appuyez sur **CLOCK** tout en appuyant sur **SHIFT**.



**2 Dans les quatre secondes, tournez MULTI JOG pour spécifier les heures et les minutes.**

La rotation de **MULTI JOG** change à la fois les heures et les minutes.

On peut aussi utiliser ◀◀ ou ▶▶ au lieu de **MULTI JOG**. Le fait de tenir l'une ou l'autre de ces touches enfoncée fait varier l'heure rapidement.

**3 Appuyez sur ENTER ou ■.**

L'horloge démarre à 00 seconde.

**Pour faire apparaître l'horloge quand un autre affichage est en service**

Appuyez sur **CLOCK** tout en appuyant sur **SHIFT**. L'heure est affichée pendant quatre secondes puis l'affichage initial réapparaît. Toutefois, l'heure ne peut pas être affichée pendant l'enregistrement.

**Pour passer au format de 24 heures**

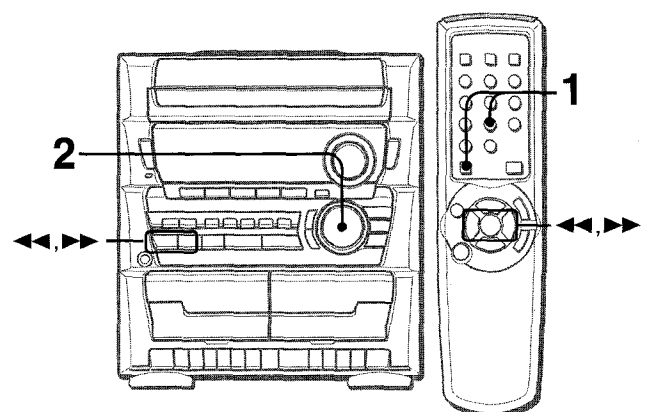
Appuyez sur ■ puis appuyez sur ■ dans les quatre secondes. Pour rétablir le format de 12 heures, procédez de la même manière.

**Si l'affichage de l'horloge clignote**  
Si l'affichage de l'horloge clignote, cela signifie que l'horloge s'est arrêtée du fait d'une interruption d'alimentation ou du fait que le cordon secteur a été débranché. L'heure courante doit être réglée de nouveau.

**REMARQUE**

Si le mode économie d'énergie (voir page 7) est en service, tous les indicateurs de l'affichage s'éteignent quand l'alimentation est coupée. Pour faire apparaître l'horloge, appuyez sur ■; l'heure est alors affichée pendant quatre secondes.

**REGLAGE DU TEMPORISATEUR**



Le temporisateur permet de mettre l'appareil hors tension automatiquement au bout d'un temps spécifié.

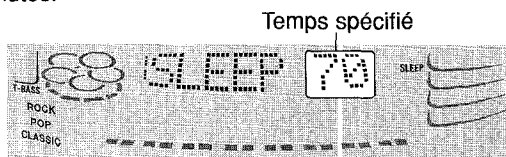
Utilisez la télécommande.

**1 Appuyez sur SLEEP de la télécommande tout en maintenant SHIFT enfoncée.**



**2 Dans les 4 secondes qui suivent, tournez la molette MULTI JOG ou appuyez sur ◀◀ ou ▶▶ pour spécifier le temps avant mise hors tension.**

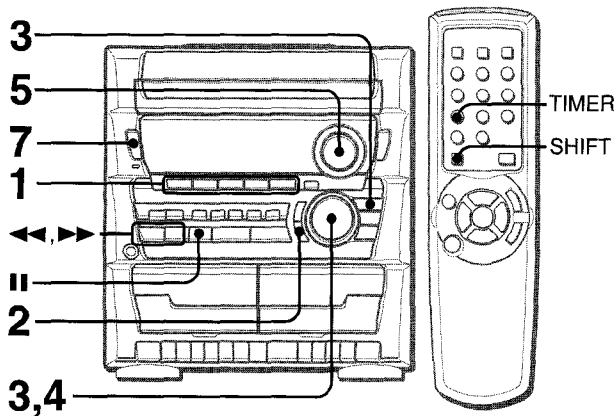
Le temps change entre 5 et 240 minutes par intervalles de 5 minutes.



**Pour vérifier le temps restant avant la mise hors tension**  
Appuyez une fois sur **SLEEP** tout en maintenant **SHIFT** enfoncée. Le temps restant est affiché pendant 4 secondes.

**Pour mettre le temporisateur hors service**  
Appuyez deux fois sur **SLEEP** tout en maintenant **SHIFT** enfoncée de telle façon que "SLEEPoFF" apparaisse sur l'afficheur.

# REGLAGE DE LA MINUTERIE



Avec la minuterie intégrée, l'appareil peut être mis sous tension chaque jour à l'heure spécifiée.

## Préparation

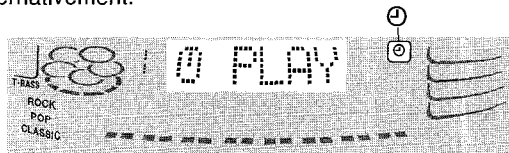
S'assurer que l'horloge est réglée correctement.

**1 Appuyez sur une des touches de fonction pour sélectionner une source.**

**2 Appuyez sur TIMER pour afficher ☹ et ▶ PLAY.**

Quand on utilise la télécommande, appuyez sur **TIMER** tout en appuyant sur **SHIFT**.

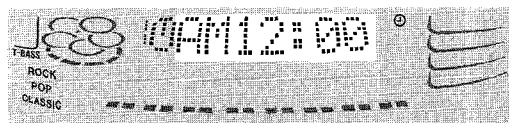
L'heure et le nom de la source audio clignotent alternativement.



**3 Dans les six secondes, tournez MULTI JOG pour spécifier l'heure de la mise sous tension par la minuterie, puis appuyez sur ENTER ou ||.**

La rotation de **MULTI JOG** change à la fois les heures et les minutes.

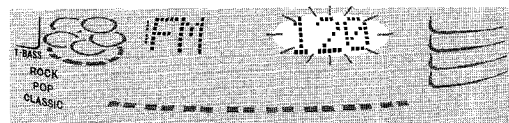
On peut aussi utiliser ◀◀ ou ▶▶ au lieu de **MULTI JOG**. Le fait de tenir l'une ou l'autre de ces touches enfoncée fait varier l'heure rapidement.



**4 Dans les quatre secondes, tournez MULTI JOG pour sélectionner la durée de la mise sous tension par la minuterie.**

La durée peut être spécifiée entre 5 et 240 minutes par pas de 5 minutes.

• On peut aussi utiliser ◀◀ ou ▶▶ au lieu de **MULTI JOG**.



La durée est automatiquement réglée au bout de quatre secondes. Elle est aussi réglée si on appuie sur **ENTER** ou **||** dans les quatre secondes après l'étape 4.

**5 Réglez le volume.**

Lors de la mise sous tension par la minuterie, le son de la source sera reproduit au niveau du volume réglé à cette étape. Toutefois, si le niveau du volume est réglé à 21 ou plus, il sera automatiquement réglé à 20 lors de la mise sous tension.

**6 Préparez la source.**

**Pour écouter un disque compact**, mettez le disque à lire en premier en place sur le plateau 1.

**Pour écouter une cassette**, insérez-la dans la platine 1 ou 2.

**Pour écouter la radio**, accordez sur une station.

**7 Appuyez sur POWER pour mettre l'appareil hors tension.**

☹ reste affiché après la mise hors tension de la chaîne (mode d'attente) si le mode d'économie d'énergie est désactivé.



**8 Préparez la fonction TAPE ou l'enregistrement programmé.**

**Pour écouter la cassette**, appuyez sur ▶ de la platine 1 ou 2.

**Pour enregistrer la source**, mettez la cassette en place dans la platine 1 et appuyez sur ● de la platine 1.

Quand l'heure de la mise sous tension par la minuterie est atteinte, l'appareil est mis sous tension et la lecture commence sur la source sélectionnée.

## REMARQUE

- En appuyant sur une des touches de fonction avant d'appuyer sur **ENTER** ou **||** à l'étape 3, on peut changer la source sélectionnée à l'étape 1.
- Si le mode d'économie d'énergie est activé, ☹ n'apparaît pas lors de la minuterie est en mode d'attente.

**Durée d'enregistrement commandé par la minuterie et durée de cassette**

Quand la durée de la cassette à enregistrer est inférieure à la durée d'enregistrement commandé par la minuterie, ● de la platine 1 est désactivée avant que la minuterie soit arrêtée.

Quand la durée de la cassette à enregistrer est supérieure à la durée d'enregistrement commandé par la minuterie, ● n'est pas désactivée. Si cette touche n'est pas désactivée pendant longtemps, la cassette de la platine risque d'être endommagée.

Appuyez sur ■/▲ pour désactiver ●.





**Pour contrôler le réglage de la minuterie**

Appuyez sur **TIMER**.

La source sélectionnée, l'heure de la mise sous tension par la minuterie et la durée de la mise sous tension par la minuterie sont affichées pendant quatre secondes.

**Pour changer un réglage**

Recommencez à partir de l'étape 1.

Toutefois, si on ne change pas l'heure de la mise sous tension par la minuterie, appuyez deux fois sur **ENTER** à l'étape 3 et continuez à partir de l'étape 4.

**Pour annuler provisoirement le mode attente de minuterie**

Appuyez sur **TIMER** de manière que ⊖ disparaisse.

Pour rétablir le mode attente de minuterie, appuyez de nouveau sur **TIMER** sur la touche de manière que ⊖ soit affiché.

**Utilisation de l'appareil lorsque la minuterie est réglée**

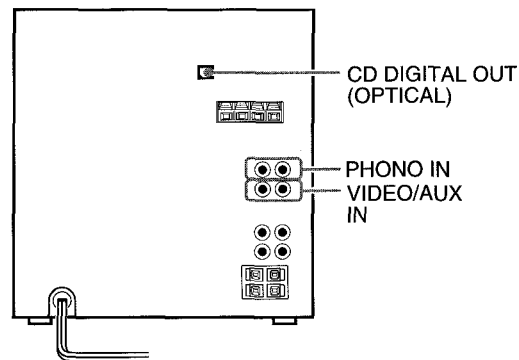
On peut utiliser l'appareil normalement après avoir réglé la minuterie.

Avant de mettre l'appareil hors tension, effectuez les étapes 5 et 6.

**REMARQUE**

- La lecture et l'enregistrement commandés par la minuterie ne se feront pas si l'appareil n'est pas mis hors tension.
- Un appareil connecté ne peut pas être mis sous et hors tension par la minuterie intégrée de l'appareil principal. Utilisez une minuterie externe.

**RACCORDEMENT D'UN APPAREIL OPTIONNEL**



Pour plus de détails, reportez-vous au mode d'emploi de l'appareil raccordé.

- Les cordons de liaison ne sont pas fournis. Veuillez vous procurer les cordons nécessaires.
- Pour les appareils optionnels disponibles, consultez votre revendeur Aiwa.

**PRISES VIDEO/AUX IN**

Cet appareil peut recevoir des signaux sonores analogiques par ces prises.

Utilisez un cordon à fiches RCA (Cinch) pour raccorder un appareil audio (lecteur LD, platine MD, magnétoscope, téléviseur, etc.).

Branchez la fiche rouge sur la prise **VIDEO/AUX IN R** et la fiche blanche sur la prise **VIDEO/AUX IN L**.

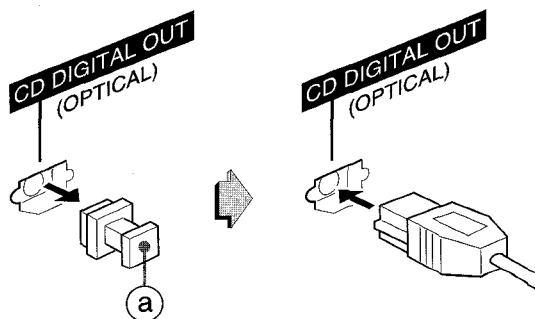
**PRISES PHONO IN**

Raccordez une platine tourne-disque. Utilisez une platine tourne-disque Aiwa munie d'un amplificateur à égaliseur.

**PRISE CD DIGITAL OUT (OPTICAL)**

Cet appareil peut transmettre les signaux sonores numériques d'un CD par cette prise. Utilisez un câble optique pour raccorder un appareil audionumérique (platine DAT, platine MD, etc.).

Enlevez le capuchon antipoussière **a** de la prise **CD DIGITAL OUT (OPTICAL)**, puis branchez la fiche d'un câble optique sur cette prise.

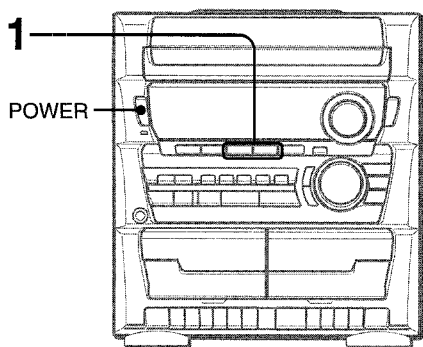


**Quand la prise CD DIGITAL OUT (OPTICAL) n'est pas utilisée**

Mettez en place le capuchon antipoussière fourni.



## ECOUTE DE SOURCES EXTERNES



Pour utiliser l'appareil raccordé aux prises **PHONO IN** ou **VIDEO/AUX IN**, suivez la procédure ci-dessous.

### 1 Appuyez sur **PHONO** ou **VIDEO/AUX**.

"PHONO" ou "VIDEO" apparaît sur l'afficheur.

### 2 Mettez l'appareil raccordé en marche.

#### **Pour changer le nom de la source affichée**

Quand vous appuyez sur **VIDEO/AUX**, "VIDEO" est affiché initialement. Il peut être remplacé par "AUX" ou "TV".

L'appareil étant sous tension, appuyez sur **POWER** tout en maintenant **VIDEO/AUX** enfoncée.

Répétez ces opérations jusqu'à ce que le nom souhaité apparaisse sur l'afficheur.

## GENERALITES

## PRECAUTIONS A PRENDRE ET ENTRETIEN

Un entretien régulier est indispensable pour optimiser les performances de l'appareil.

#### **Nettoyage du coffret**

Utilisez un chiffon doux et sec.

Si le coffret est très sale, utilisez un chiffon légèrement imbibé d'une solution détergente neutre. Ne pas utiliser de solvants forts, tels que de l'alcool, de la benzine ou du diluant qui pourraient endommager la finition de l'appareil.

#### **Nettoyage des têtes du magnétocassette**

Quand les têtes du magnétocassette sont sales:

- il n'y a pas de sons aigus
- le son est trop faible
- le son est déséquilibré
- l'effacement d'une cassette est impossible
- l'enregistrement d'une cassette est impossible

Toutes les dix heures d'utilisation, nettoyez les têtes du magnétocassette avec une cassette prévue à cet effet.

Pour plus de détails, se référer au mode d'emploi de la cassette de nettoyage.

#### **Démagnétisation des têtes du magnétocassette**

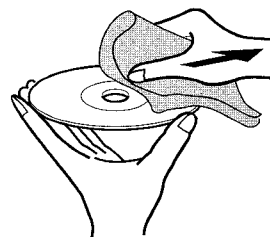
A la longue, les têtes du magnétocassette peuvent devenir magnétisées. Ceci peut restreindre la plage de sortie des cassettes enregistrées et augmenter le bruit.

A l'aide d'une cassette de démagnétisation disponible dans le commerce, démagnétisez les têtes du magnétocassette toutes les 20 à 30 heures d'utilisation.

Pour plus de détails, se référer au mode d'emploi de la cassette de démagnétisation.

#### **Précautions à prendre et entretien des disques**

- Si un disque est sale, essuyez-le du centre vers la périphérie avec un chiffon de nettoyage.



- Après la lecture d'un disque, rangez-le dans son étui. Ne pas le laisser dans un endroit chaud ou humide.

#### **Précautions à prendre pour les cassettes**

- Après utilisation, rangez les cassettes dans leurs boîtes.
- Ne pas laisser les cassettes près d'un aimant, d'un moteur, d'un téléviseur ou de toute autre source de champ magnétique. La qualité sonore pourrait être dégradée et des parasites être produits.
- Ne pas exposer les cassettes à la lumière directe du soleil ni les laisser dans un véhicule garé en plein soleil.

Si l'appareil ne fonctionne pas comme décrit dans ce mode d'emploi, veuillez consulter le guide de dépannage suivant.

## GENERALITES

### Il n'y a pas de son.

- Le cordon d'alimentation secteur est-il branché correctement?
- Un raccordement incorrect a-t-il été effectué? (→ page 4)
- Il y a peut-être un court-circuit au niveau des bornes d'enceintes.  
→ Débranchez le cordon d'alimentation secteur puis raccordez les enceintes correctement.
- Avez-vous appuyé sur une touche de fonction incorrecte?

### Le son ne sort que par une enceinte.

- L'autre enceinte est-elle déconnectée?

### Un affichage erroné ou un dysfonctionnement se produit.

- Réinitialisez l'appareil comme indiqué ci-dessous.

## SECTION TUNER

### Des décharges statiques constantes en forme d'onde sont produites.

- L'antenne est-elle raccordée correctement? (→ page 5)
- Le signal est-il faible?  
→ Raccordez une antenne extérieure.

### La réception présente des parasites ou le son de la distorsion.

- Le système capte-t-il des bruits extérieurs ou des ondes réfléchies?  
→ Changez l'orientation de l'antenne.
- Eloignez l'appareil des autres appareils électriques.

## SECTION PLATINE A CASSETTE

### La bande ne défile pas.

- La platine est-elle en mode de pause? (→ page 11)

### Le son est déséquilibré ou trop faible.

- La tête de lecture est-elle sale? (→ page 21)

### L'enregistrement est impossible.

- Un ergot de sécurité de la cassette est-il brisé? (→ page 15)
- La tête d'enregistrement est-elle sale? (→ page 21)

### L'effacement est impossible.

- La tête d'effacement est-elle sale? (→ page 21)
- Utilisez-vous une cassette de type métal?

### Absence de hautes fréquences.

- La tête d'enregistrement/lecture est-elle sale? (→ page 21)

## SECTION LECTEUR CD

### Le lecteur CD ne fonctionne pas.

- Le disque a-t-il été mis en place correctement? (→ page 12)
- Le disque est-il sale? (→ page 21)
- De la condensation s'est-elle formée sur la lentille?  
→ Attendez environ une heure puis essayez de nouveau.

### Pour réinitialiser l'appareil

Si une anomalie apparaît sur l'afficheur ou dans les platines à cassette, réinitialisez l'appareil de la manière suivante.

- 1 Appuyez sur **POWER** pour mettre l'appareil hors tension.
- 2 Appuyez sur **POWER** pour remettre l'appareil sous tension tout en maintenant **CLEAR** enfoncée. Toutes les données mémorisées depuis l'achat sont effacées.

Si, à l'étape 1, l'alimentation ne peut pas être coupée du fait d'une anomalie, réinitialisez l'appareil en débranchant puis en rebranchant le cordon d'alimentation secteur, puis effectuez l'étape 2.

## Appareil principal CX-ZL30

### Section Tuner FM

Plage d'accord	87,5 MHz à 108 MHz
Sensibilité utile (IHF)	13,2 dBf
Bornes d'antenne	75 ohms (asymétrique)

### Section Tuner AM

Plage d'accord	530 kHz à 1710 kHz (intervalle de 10 kHz) 531 kHz à 1602 kHz (intervalle de 9 kHz)
Sensibilité utile	350 µV/m
Antenne	Antenne cadre

### Section amplificateur

#### Amplificateur des moyennes à hautes fréquences

Puissance de sortie	15 W + 15 W (200 Hz – 20 kHz, D.H.T. inférieure à 1 %, 8 ohms)
---------------------	--

#### Distorsion harmonique totale

	0,06 % (5 W, 1 kHz, 8 ohms, DIN AUDIO)
--	--

#### Amplificateur des basses fréquences

Puissance de sortie	45 W + 45 W (50 Hz – 200 Hz, D.H.T. inférieure à 1 %, 4 ohms)
---------------------	---

#### Distorsion harmonique totale

	0,1 % (15 W, 135 Hz, 4 ohms, DIN AUDIO)
--	---

### Entrées

VIDEO/AUX: 310 mV (réglable)  
PHONO: 400 mV

### Sorties

SPEAKERS HIGH FREQ:  
acceptent des enceintes de 8 ohms ou plus  
SPEAKERS LOW FREQ:  
acceptent des enceintes de 4 ohms ou plus  
SURROUND SPEAKERS:  
acceptent des enceintes de 8 à 16 ohms  
PHONES (prise stéréo):  
acceptent un casque de 32 ohms ou plus

### Section platine à cassette

Format de piste	4 pistes, 2 canaux stéréo
Réponse en fréquence	50 Hz – 12500 Hz
Système d'enregistrement	Polarisation CA
Têtes	Platine 1: 1 tête d'enregistrement/lecture, 1 tête d'effacement Platine 2: 1 tête de lecture

### Section lecteur CD

Laser	Laser à semi-conducteur ( $\lambda = 780 \text{ nm}$ )
Conversion N/A	1 bit double
Rapport signal/bruit	85 dB (1 kHz, 0 dB)
Distorsion harmonique	0,05 % (1 kHz, 0 dB)
Pleurage et scintillement	En deçà du seuil mesurable

### Généralités

Alimentation électrique	Secteur 120 V, 60 Hz
Consommation électrique	110 W
Dimensions de l'appareil principal (L x H x P)	360 x 394,5 x 386 mm
Poids de l'appareil principal	9 kg

**Système acoustique SX-WZL60**

<b>Type de caisson</b>	3 voies, haut-parleur infragrave intégré
<b>Haut-parleurs</b>	Infragrave: cône de 220 mm Large bande: cône de 120 mm Super-tweeter: 20 mm céramique
<b>Impédance</b>	4 ohms/8 ohms
<b>Niveau de pression acoustique de sortie</b>	89 dB/W/m
<b>Dimensions (L x H x P)</b>	290 x 444 x 296 mm
<b>Poids</b>	6,5 kg

Les spécifications et l'aspect extérieur peuvent être modifiés sans préavis.

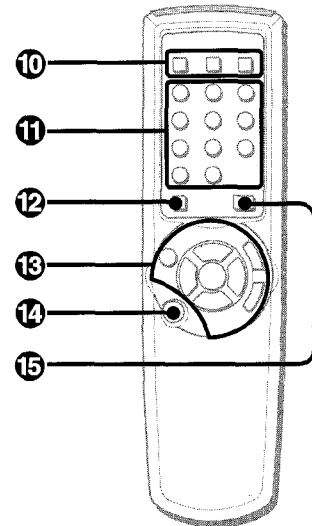
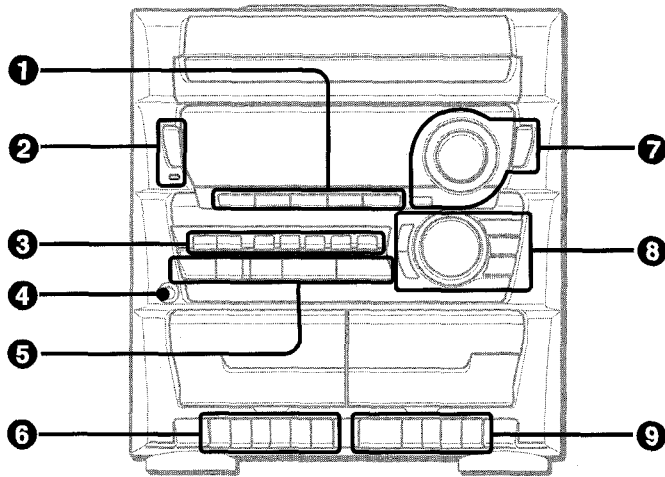
**DROITS D'AUTEUR**

Prière de vérifier les lois sur la propriété artistique relatives à l'enregistrement de disques, de la radio ou de cassettes dans le pays d'utilisation de l'appareil.

# PARTS INDEX

# INDICE DE LAS PARTES

# NOMENCLATURE



Name/Nombre/Nom	Page/Página/Page
① TAPE .....	11,15
TUNER/BAND .....	10,11,15
PHONO .....	15
VIDEO/AUX .....	15,21
CD/CD BLANK SKIP .....	6,12-13,15-17
② POWER .....	6,8,10,19,21,
⏻STANDBY/ON .....	22
⏻STANDBY/ON .....	7
③ DISC CHANGE .....	12
▲OPEN/CLOSE .....	12,13
DISC DIRECT PLAY1-5 .....	12-14,16,17
④ PHONES .....	9
⑤ ◀◀/I◀◀DOWN .....	8,10-12,14,
UP▶▶/▶▶ .....	16-19
▶▶/▶▶UP .....	8,10-12,14,
▶▶/▶▶UP .....	16-19
▢SET .....	11,12,15,
▢CLEAR .....	18,19
▶PRESET .....	6,8,11,12,14,
▶PRESET .....	16-18,22
▶PRESET .....	8,12-14
⑥ DECK 1 (●, ▶, ◀◀, ▶▶, ▢/▲, ▢) .....	11,15,16,17,
▶PRESET .....	19
⑦ VOLUME .....	9,19
DEMO .....	8
T-BASS .....	9
⑧ MULTI JOG .....	6,7,10-12,
ENTER .....	16-19
GEQ (Graphic equalizer)	6,7,18-20
(ROCK, POP, CLASSIC) .....	9
TUNER PRESET .....	10
ECO .....	6,7
TIMER .....	19,20

Name/Nombre/Nom	Page/Página/Page
⑨ DECK 2 (▶, ◀◀, ▶▶, ▢/▲, ▢) .....	11,19
⑩ DISC DIRECT PLAY1-5 .....	12-14,16,17
⑪ 0-9,+10 .....	11,12,14,16,
1/CD EDIT/CHECK .....	17
2/PRGM .....	12,16,17
3/RANDOM/REPEAT .....	14
4/GEQ .....	13
6/T-BASS .....	9
7/TIMER .....	9
8/SLEEP .....	19,20
9/CLOCK .....	18
0/MONO TUNER .....	18
+10/BAND .....	10
+10/BAND .....	10-11,14,17
⑫ SHIFT .....	6
⑬ ◀◀/I◀◀DOWN .....	8,10-12,14,
▶▶/▶▶UP .....	16-19
▶▶/▶▶UP .....	8,10-12,14,
▶▶/▶▶UP .....	16-19
▢SET .....	11,12,15,
▢CLEAR .....	18,19
▶PRESET .....	6,8,11,12,14,
▶PRESET .....	16-18,22
VOL (∨, ∧) .....	8,12-14
VOL (∨, ∧) .....	9,19
⑭ POWER .....	6,8,10,19,21,
▶PRESET .....	22
⑮ FUNCTION .....	6

For assistance and information

**call toll free 1-800-BUY-AIWA** (United States and Puerto Rico)